

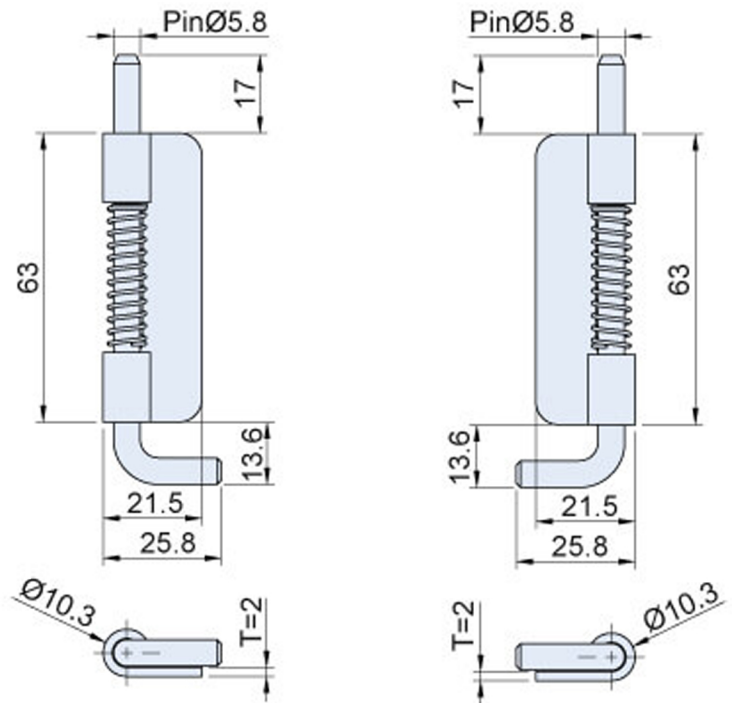
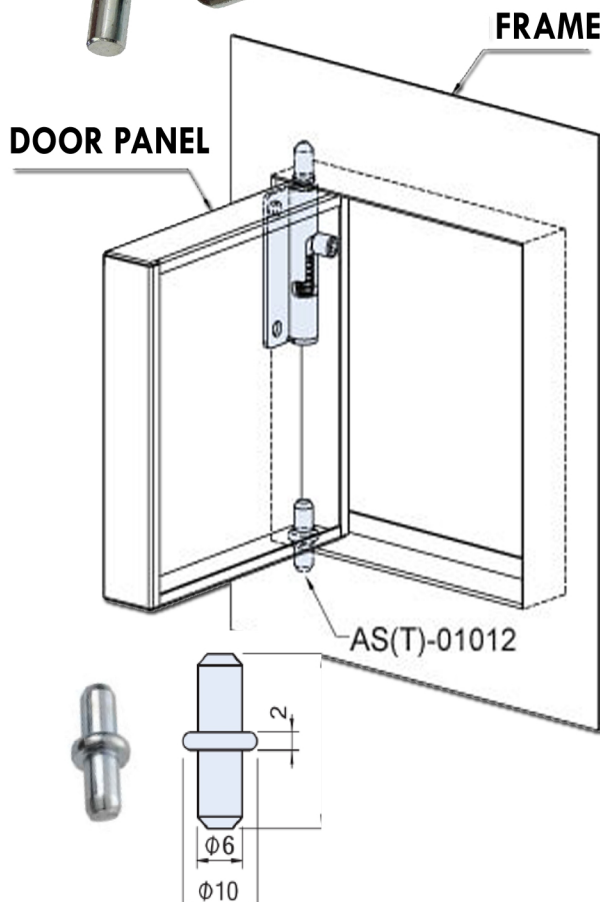
CONCEALED REMOVABLE SPRING HINGE

MATERIAL AND FINISH

HINGE BODY: COLD ROLLED STEEL (SPCC)
2MM THICKNESS

HINGE WEIGHT: 54GM
IN ACCORDANCE WITH - RoHS.
THE HINGE CAN BE USED FOR LIGHT GAGE DOOR PANELS
AS WELL AS A MINI TYPE SPRING BOLT.

AVAILABLE IN LEFT HAND AND RIGHT HAND



LEFT HAND RIGHT OPENING

PART NO.	DOOR PANEL	DESCRIPTION
AS-AS-0101L AS-AS-0101R		CONCEALED HINGE 63MM LONG X 25MM TAG X 2MM PLATE ZINC PLATED LEFT / RIGHT HAND



I.R.S.
Build With Quality

RUBBER
HARDWARE
TAPES
SEALANTS

1300 767 567

www.indrub.com.au