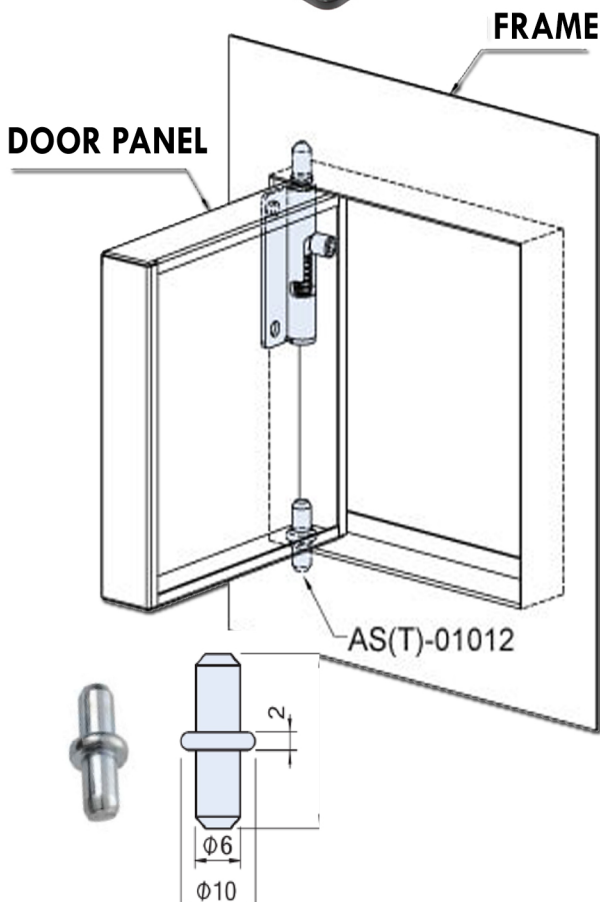


CONCEALED REMOVABLE SPRING HINGE

AS-AT-2810L



AS-AT-2810R



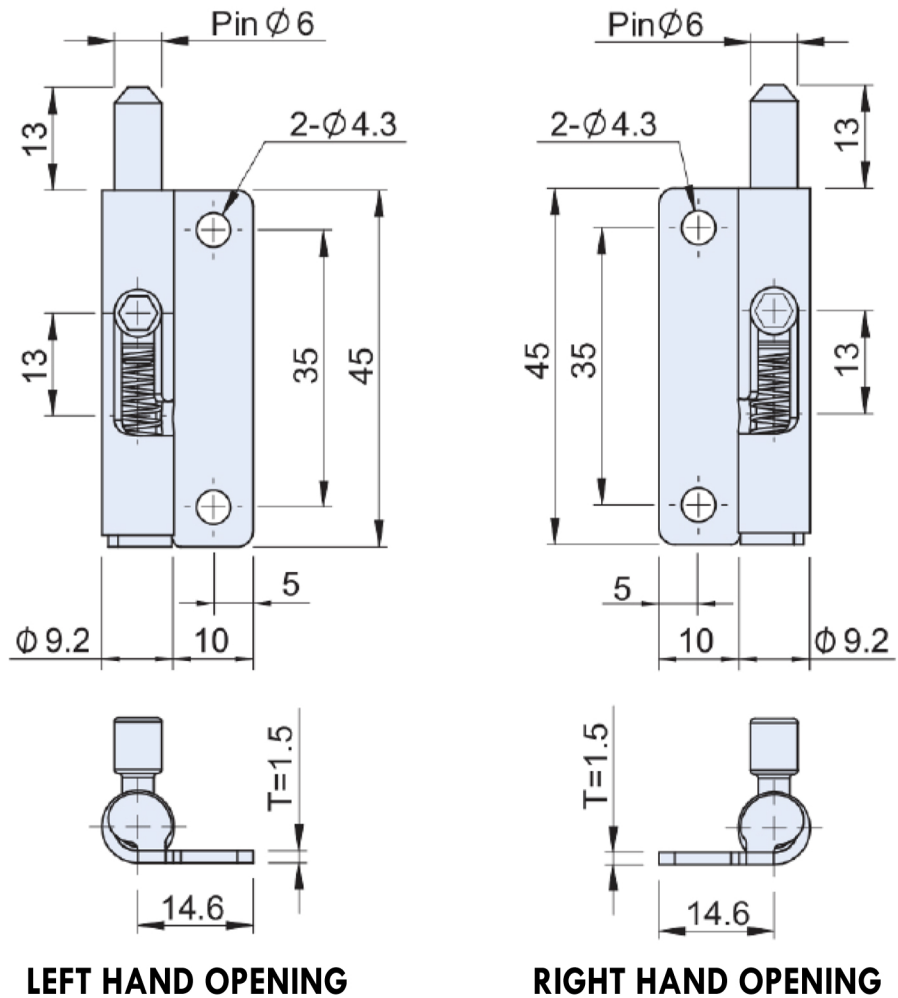
MATERIAL AND FINISH

HINGE BODY: COLD ROLLED STEEL (SPCC)
1.5MM THICKNESS BLACK COATED

HINGE WEIGHT: 31GM
IN ACCORDANCE WITH - RoHS.

THE HINGE CAN BE USED FOR LIGHT GAGE DOOR PANELS
AS WELL AS A MINI TYPE SPRING BOLT.

AVAILABLE IN LEFT HAND AND RIGHT HAND



PART NO.	DESCRIPTION
AS-AT-2810L AS-AT-2810R	Applications include: Latch use Concealed removable hinge with T axial pin



I.R.S.
Build With Quality

RUBBER
HARDWARE
TAPES
SEALANTS

1300 767 567

www.indrub.com.au