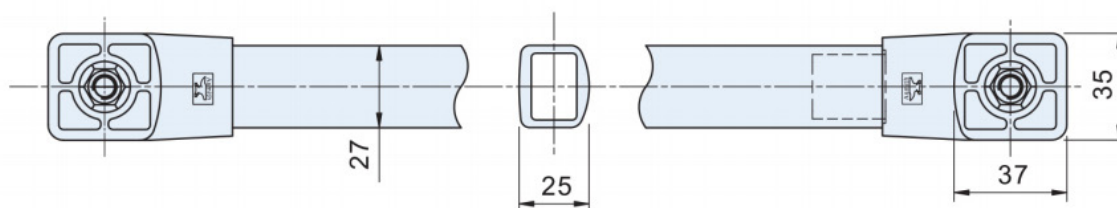
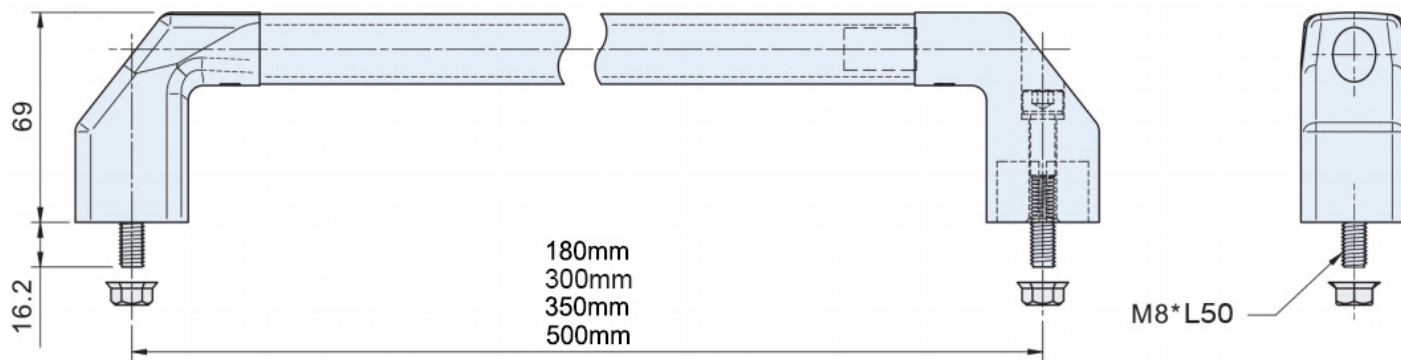


LOCKS & HANDLES

YELLOW HANDLE

C87



Features

- Resistance to acid, alkali, greasiness.
- Holder attach M8*L50 screw, the outlook is artistic.
- Weathering resistance of PA holder is -20°C - +150°C.
- Could be quick installed on the panel with a tapped hole or with a normal hole by nut.
- Tighten the screw from outside, working space is not effected by the cabinet inner space.

PART NO.	DESCRIPTION	LENGTH (MM)
AS-E69180ALYL	handle yellow 180mm 100kg rated	180
AS-E69300ALYL	handle yellow 300mm 100kg rated	300
AS-E69500ALYL	handle yellow 500mm 100kg rated	500



I.R.S.
Build With Quality

RUBBER
HARDWARE
TAPES
SEALANTS

1300 767 567

www.indrub.com.au