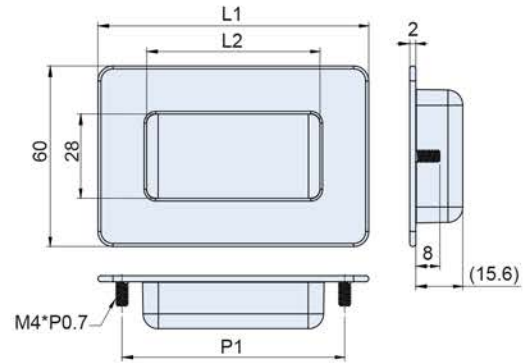


Pocket Pull Handle Stainless Steel

AS-ES-1311



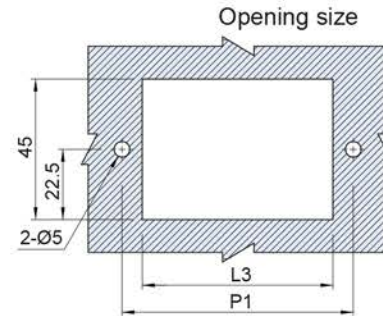
Pocket Pull Stainless Steel 304
Brushed finish handle,
2 x M4 rear fixing bolts.



AS-ES-1321



Pocket Pull Stainless Steel 304
Brushed finish handle,
2 x M4 rear fixing bolts.

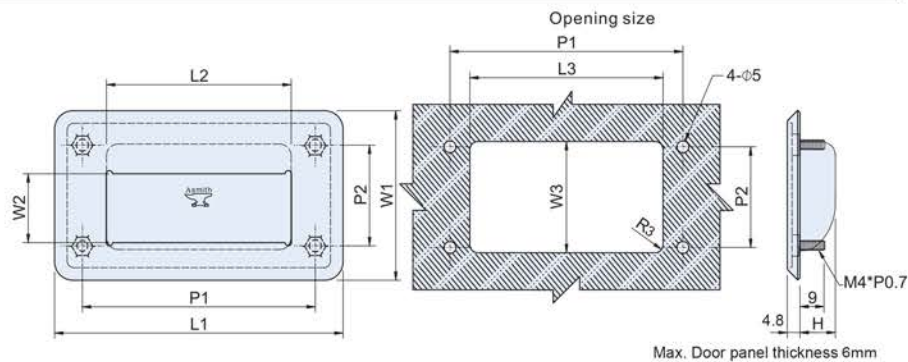


Dimensions					Load Capacity (kgf)	Weight (g)
L1	L2	L3	Max. panel thickness	P1		
90	57.6	61	4.2	74	20	58
120	85.5	89		100		76

AS-ES-0631



Pocket Pull Stainless Steel 304
Brushed finish handle,
4 x M4 rear fixing bolts.



Dimensions										Load Capacity (kgf)	Weight (g)
L1	L2	L3	W1	W2	W3	H	P1	P2	Max. panel thickness		
139	97	99	89	36	64	21	110	65	6	50	170

Manufactured in accordance with RoHS.



I.R.S.
Build With Quality

RUBBER
HARDWARE
TAPES
SEALANTS

1300 767 567

www.indrub.com.au