

Locking Handle

D3000

TUMA



I.R.S.

www.indrub.com.au
1300 767 567

RUBBER
HARDWARE
TAPES
SEALANTS



The Reliable Guard for Your **Heavy Duty** Drawer
Safe and **Handy** Lock
On Board for **Locking** Your Protection.



Locking Handle

D3000

TUMA

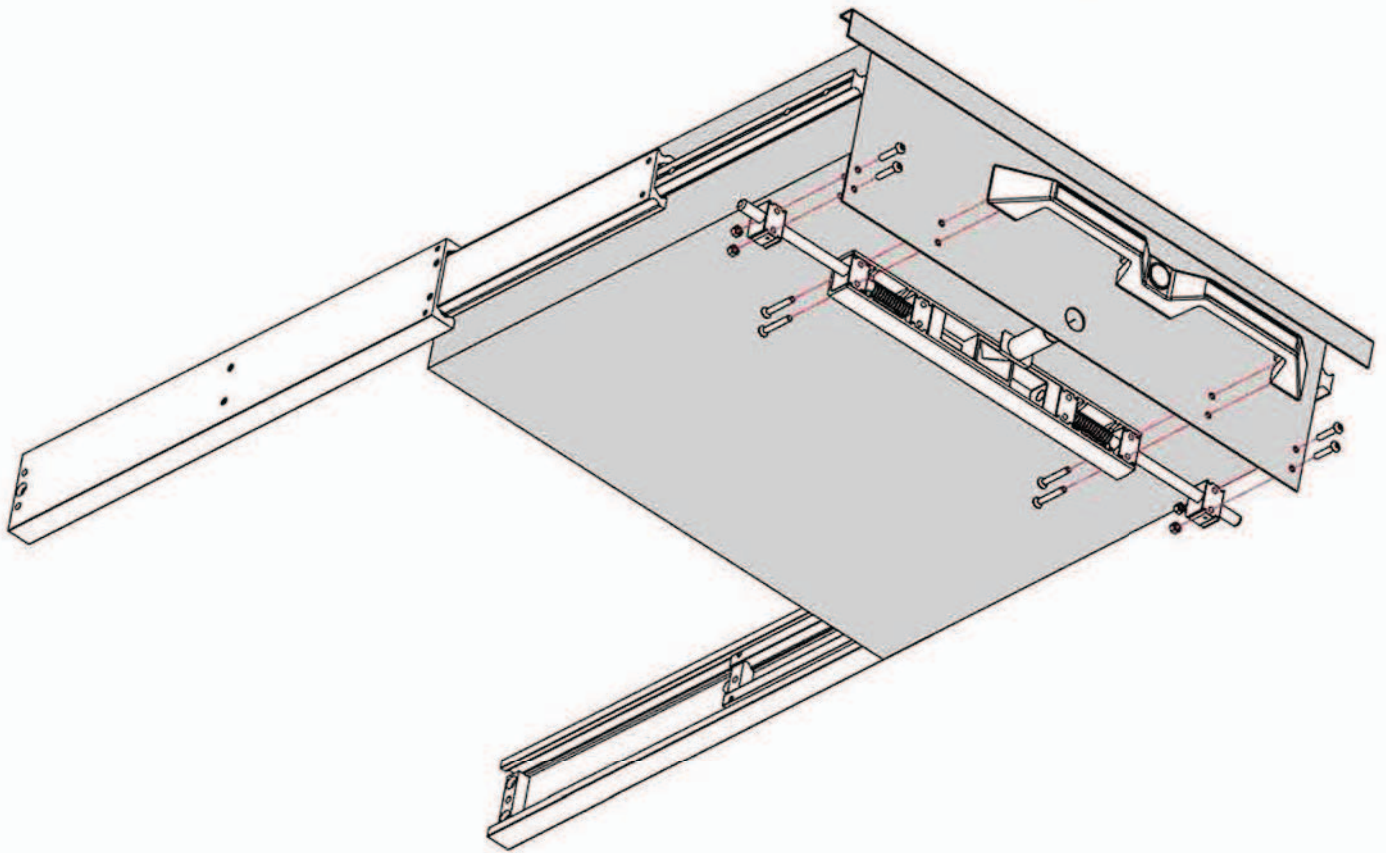


I.R.S.

www.indrub.com.au

1300 767 567

RUBBER
HARDWARE
TAPES
SEALANTS



Locking Handle

D3000

TUMA

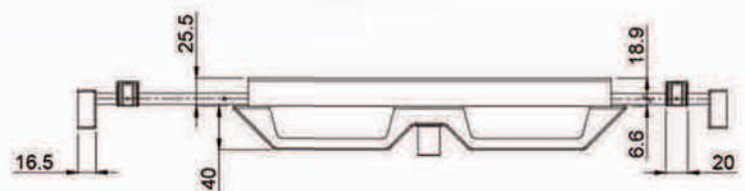
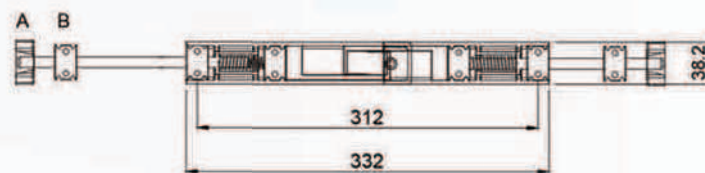
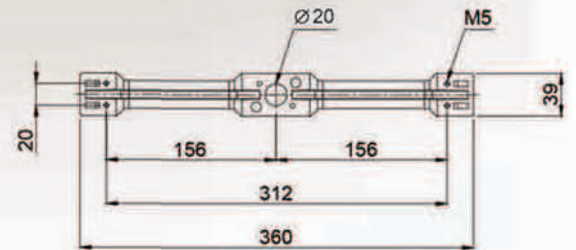
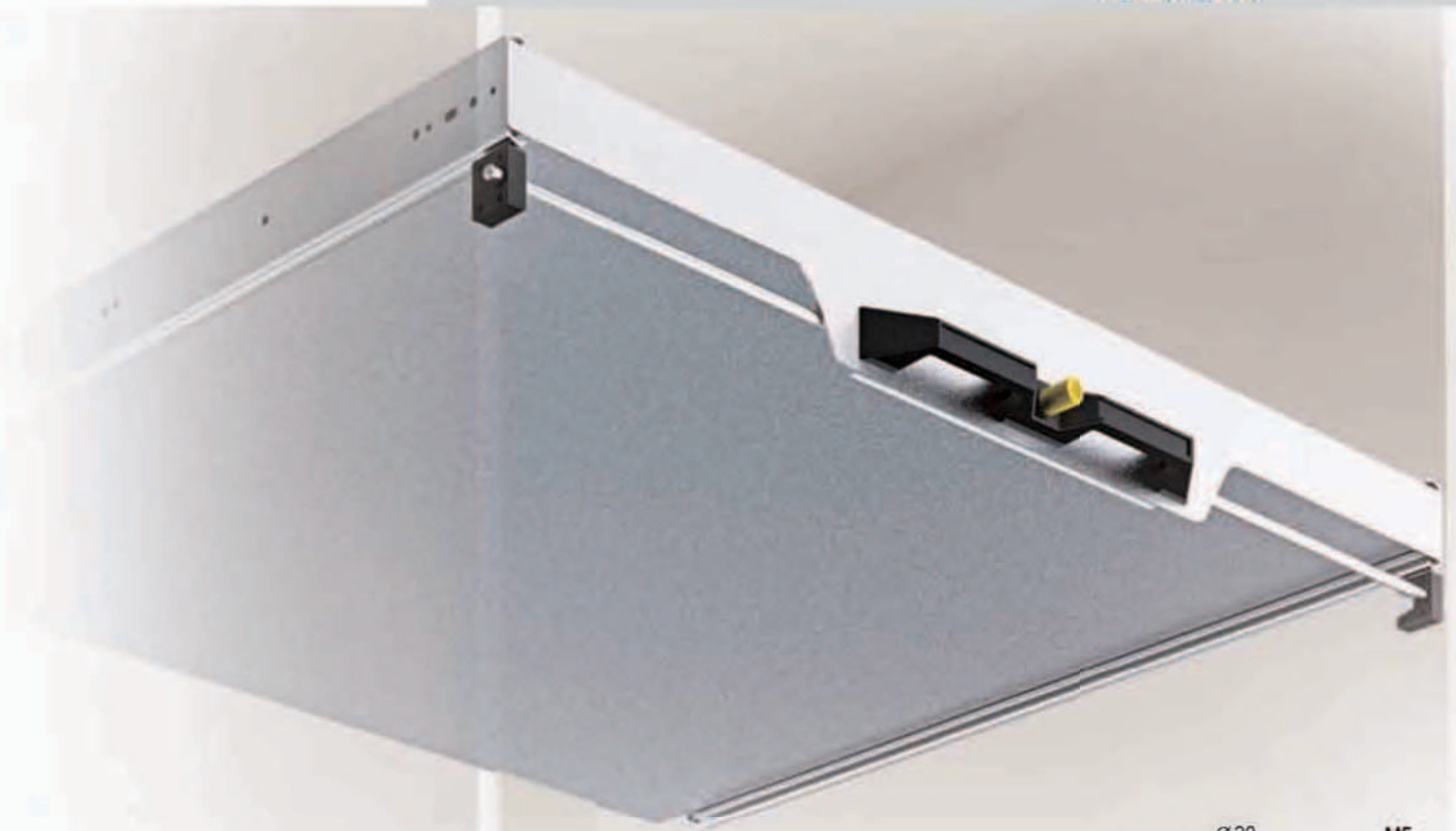


I.R.S.

www.indrub.com.au

1300 767 567

RUBBER
HARDWARE
TAPES
SEALANTS



Feature & Benefit

- Lock-in and optional Lock-out function.
- Supporting drawer width up to 1622mm.
(Standard 500mm and 750mm length of stainless steel rods for your option)
- Maximum thickness of drawer front panel is up to 7 mm.
- Material: PBT+ glass fiber handle; stainless steel parts.
- Lightweight and corrosion resistant for fuel efficiency and outdoor using.
- Applications: Trucks, RV, specialty vehicles, tool storage cabinets, etc.
- 30,000 cycles approved.