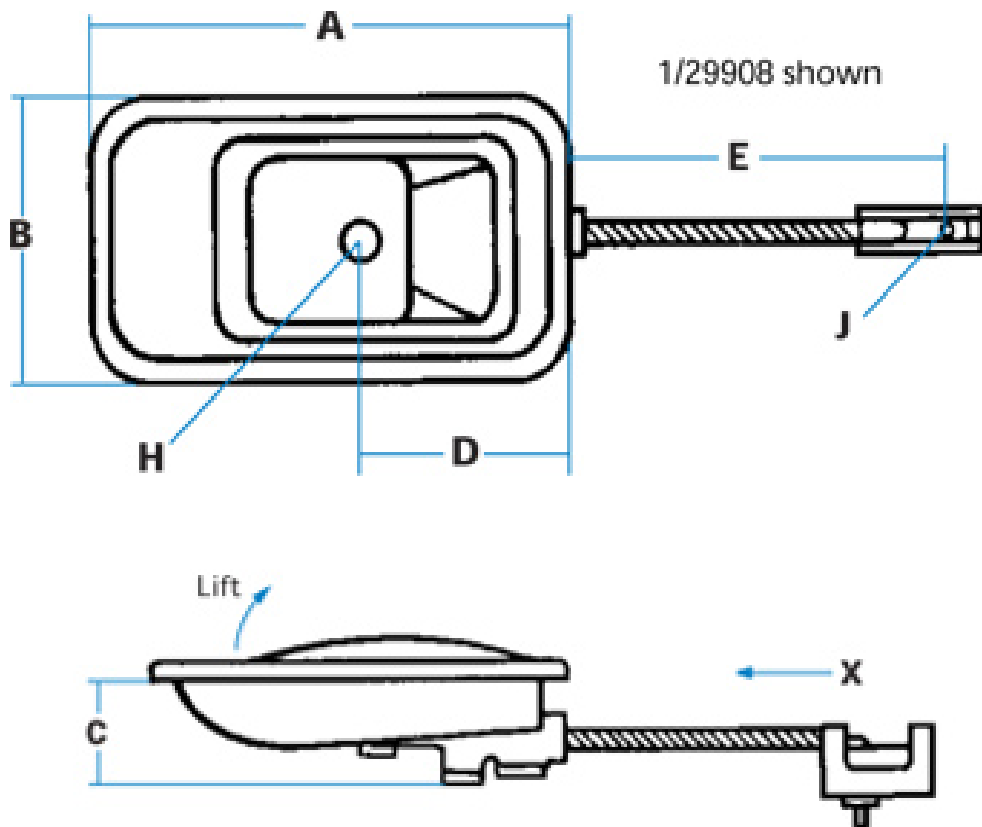


LOCKS & HANDLES

BUCKLE INSIDE RELEASE HANDLE

C83



A	Bowl total length	102 mm
B	Bowl width	55 mm
C	Depth to base	23 mm
D	Location	45 mm
E	Location to 'J'	75 mm
H	Hole size (dia)	5 mm
J	Hole size (dia)	3.5 mm
X	Travel of latch release	15 mm

A rubber buffer on the frame acts as a stop, 'cushioning' action and preventing rattle.

PART NO.	DESCRIPTION
EB22324-AE3	There is no locking feature, so it is used on doors where inside locking is achieved by sill-button or other means. Two styles of connectors as shows, non-handed.



I.R.S.
Build With Quality

RUBBER
HARDWARE
TAPES
SEALANTS

1300 767 567

www.indrub.com.au