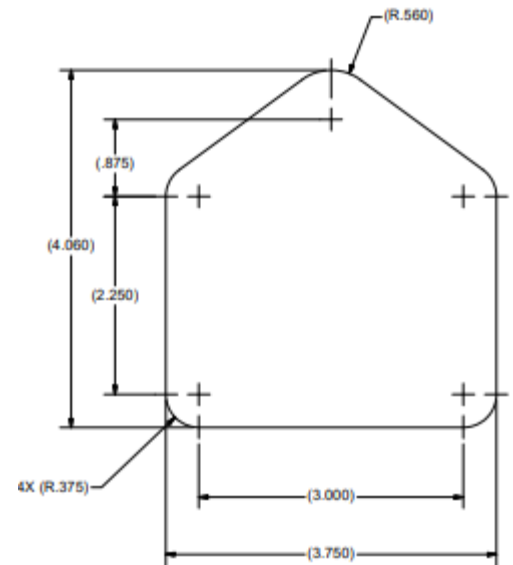
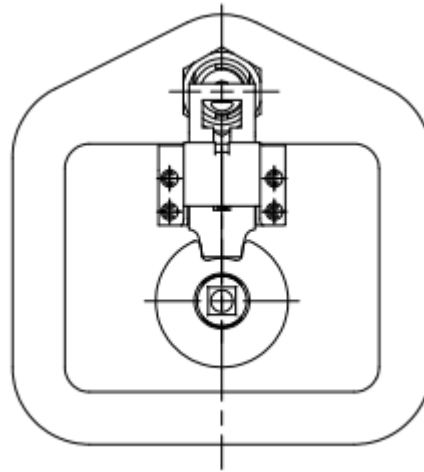
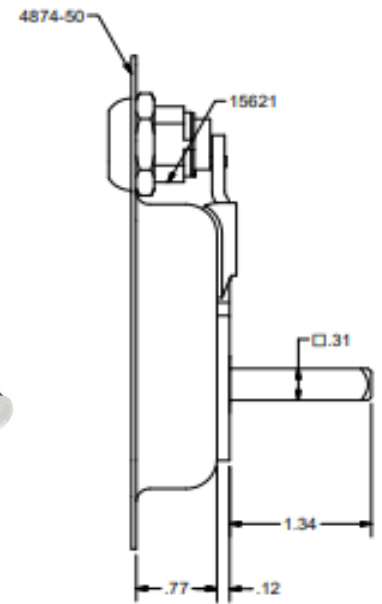
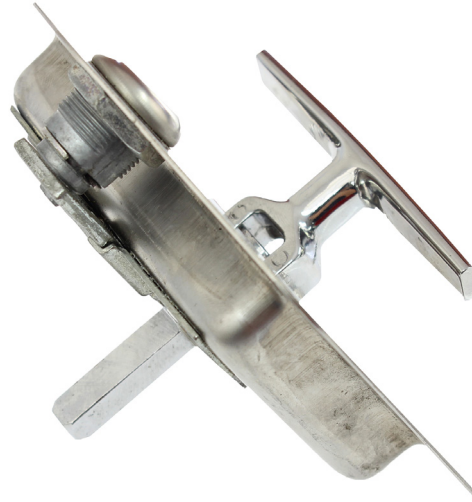
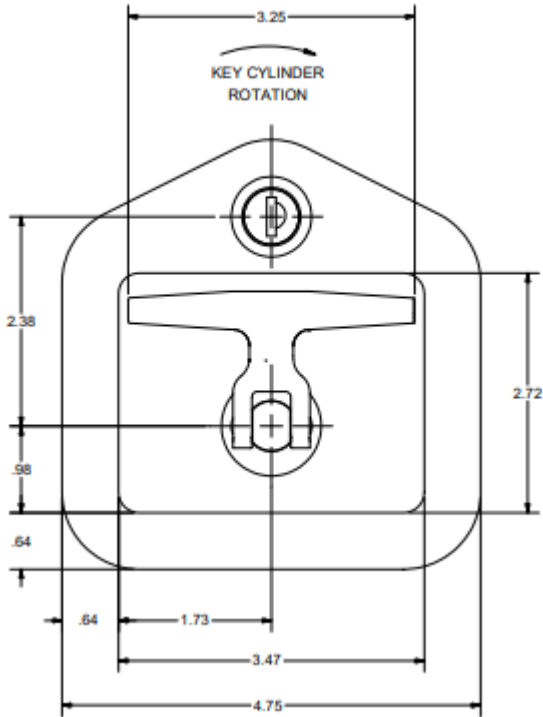


# LOCKS & HANDLES

## Stainless steel drop T handle

# C91



SUGGESTED OUTLINE OF CUTOUT  
SCALE 1



PART NO.

DESCRIPTION

EB4874-2-SS

Shank for single tongue (FCLAM) or 3 point tongue and rod setup (AS-IRS 3) Front fixing holes



**I.R.S.**  
Build With Quality

RUBBER  
HARDWARE  
TAPES  
SEALANTS

1300 767 567

www.indrub.com.au