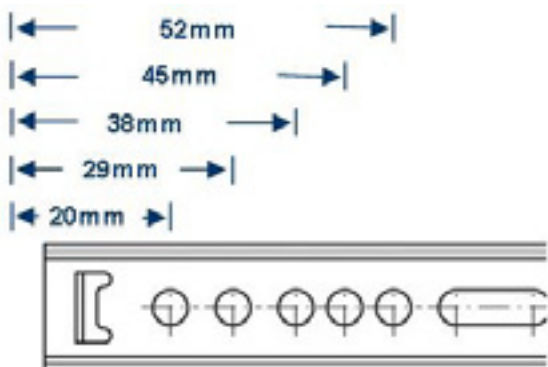
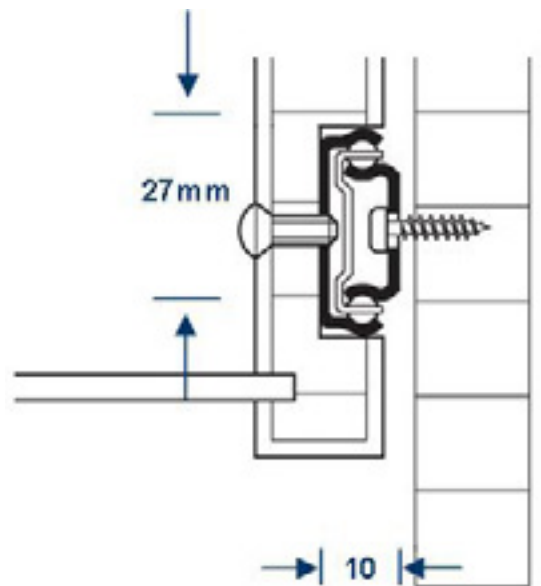


# 12KG GROOVE MOUNTING DRAWER SLIDES



- Load capacity: 12 kg/pair
- Material: Steel
- Finish: Galvanised
- Guided by: 2 ball cages
- Fitting to the side panel: Screw fixing, surface mounting
- Fitting to drawer: Screw fixing, groove mounted
- max. drawer width = internal carcass width - 20mm, plus 2x groove depth

Drawer depth min.	Drawer depth max.	Carcass rail L	Extension loss AV	Cat. No.
280mm	450mm	278mm	82mm	DS420.95.456
350mm	568mm	342mm	82mm	DS420.95.572

## FOR ENQUIRIES:

Call us on: 1300 767 567

WA Store: 102 Briggs Street Welshpool WA 6106

QLD Store: 2/17 Alexandra Place Murarrie QLD 4172

Email: [websales@indrub.com.au](mailto:websales@indrub.com.au)

Web: [www.indrub.com.au](http://www.indrub.com.au)



# I.R.S.

**RUBBER  
HARDWARE  
TAPES  
SEALANTS**