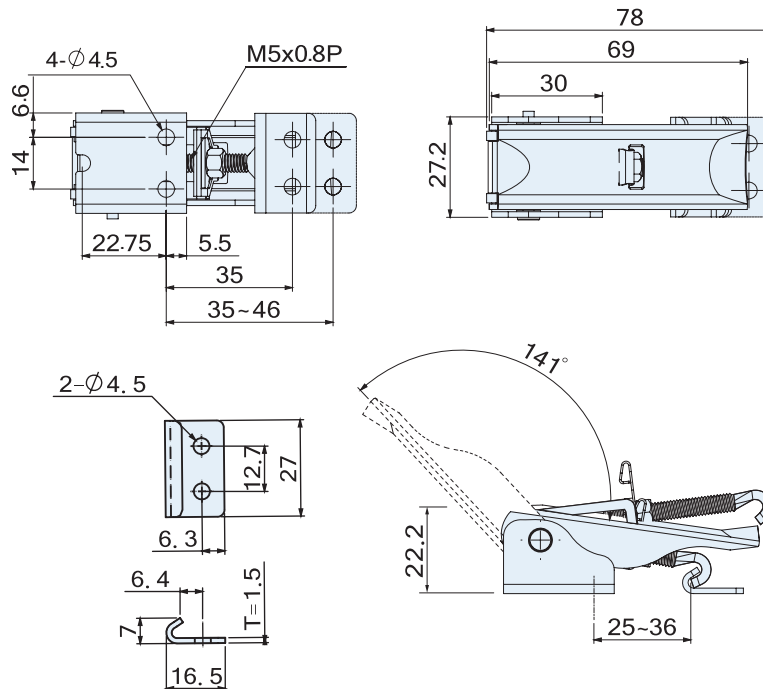


CT-21237



MATERIAL AND FINISH

- Steel(SPCC), Zinc plated.
- Stainless steel(SUS304), Vibration ground.

FEATURES

- The adjustable latch rod can depend on the spiral tooth to be reversing, to adjust the suitable compression force.
- Make use of assistance latches and locks to do an additional protection: seriously vibrated \ suddenly opened \ Loading huge capacity.

SPECIFICATIONS:

Unit: mm

Item No.	Material	Load capacity(kg)	Weight(g)
CT - 21237	SPCC	80	80
CS-21237	SUS304	70	80