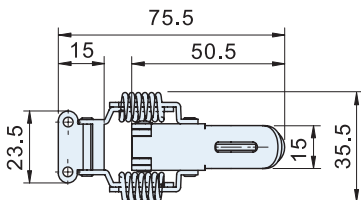


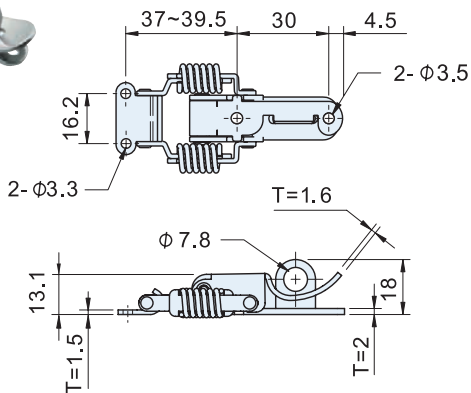
CS-0412
CT-0412 Series

Draw Latch
(Spring Loaded Type)

CS-0412
CT-0412



(Spring compression: 1.5~4)



SPECIFICATIONS:

Unit:mm

Item No.	Material	Finish	Load capacity (kg)	Weight(g)
CT-0412	SPCC	Zinc plated	17	42.5
CS-0412	SUS304	Vibration ground		