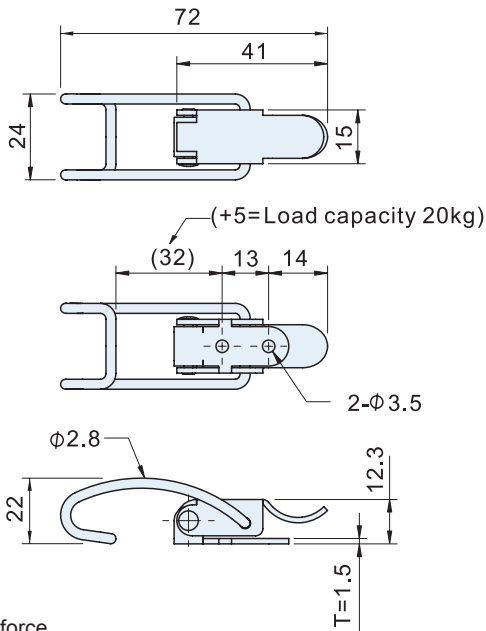


**CS-1113**  
**CT-11130W** Series

**Draw Latch**  
**(Spring Loaded Type)**

CS-1113  
CT-11130W



**FEATURES**

- Provide compression force.

**SPECIFICATIONS:**

Unit:mm

Item No .	Material	Finish	Load capacity (kg)	Weight(g)
CS-1113	SUS304	Vibration ground	30	25
CT-11130W	SPCC	Zinc plated		24.4