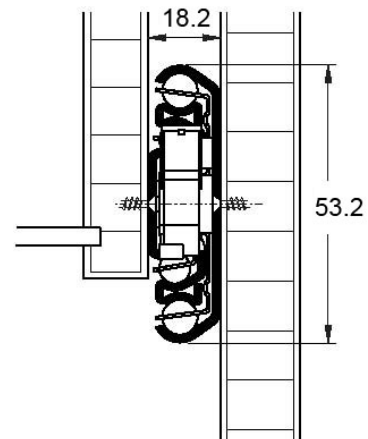
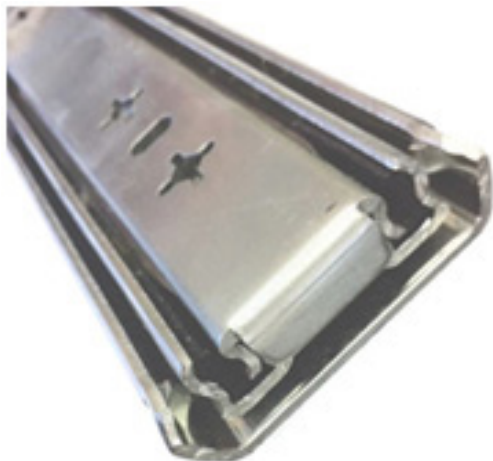


# 125KG DRAWER SLIDES



- Load capacity: 125 kg/pair
- Material: Steel
- Finish: Zinc Plated
- Guided by: 2 ball cages
- Fitting to the side panel: screw fixing
- Fitting to drawer: screw fixing

Max Weight	Slide Length	Cat. No.
125kg	300mm	DSCHMD300
125kg	350mm	DSCHMD350
125kg	400mm	DSCHMD400
125kg	450mm	DSCHMD450
125kg	500mm	DSCHMD500
125kg	550mm	DSCHMD550
125kg	600mm	DSCHMD600
125kg	650mm	DSCHMD650
125kg	700mm	DSCHMD700
125kg	750mm	DSCHMD750
125kg	800mm	DSCHMD800
125kg	850mm	DSCHMD850
125kg	900mm	DSCHMD900
125kg	1000mm	DSCHMD1000

## FOR ENQUIRIES:

Call us on: 1300 767 567

WA Store: 102 Briggs Street Welshpool WA 6106

QLD Store: 2/17 Alexandra Place Murarrie QLD 4172

Email: [websales@indrub.com.au](mailto:websales@indrub.com.au)

Web: [www.indrub.com.au](http://www.indrub.com.au)



# I.R.S.

**RUBBER  
HARDWARE  
TAPES  
SEALANTS**