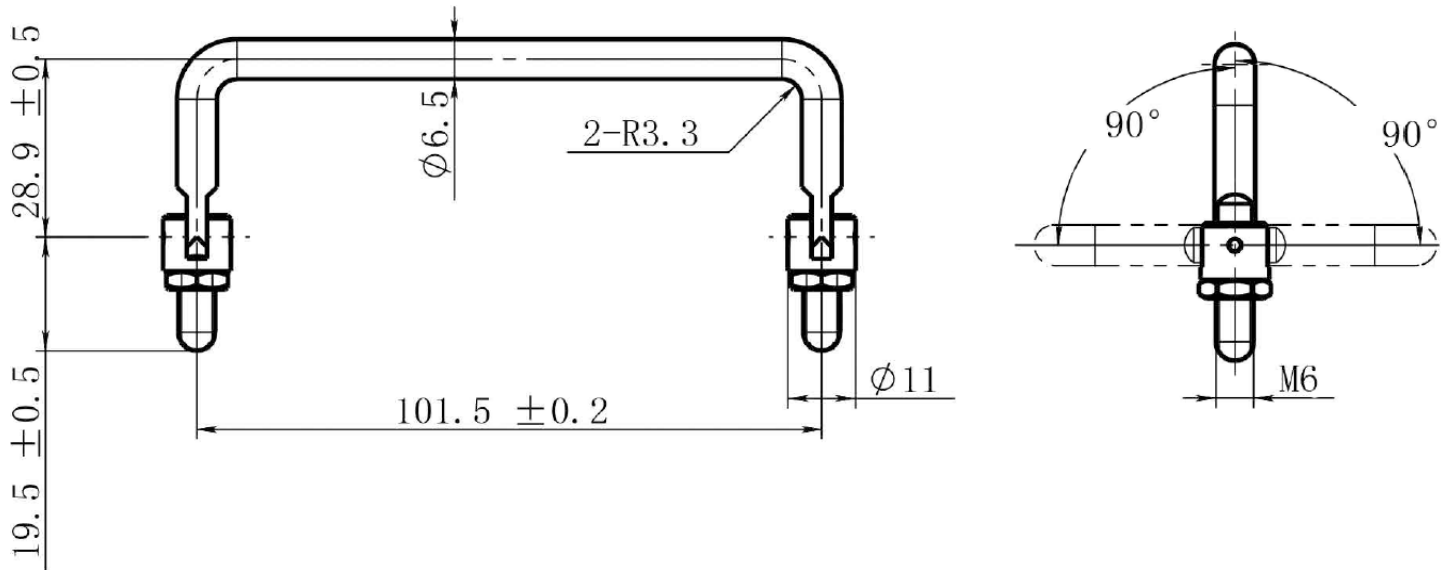


# NSLS515 101mm Black pivot handle



Code	Description	Width	FEATURES
NSLS515	Our NSLS515 black pivot handle can add a low profile option to your application and can be countersunk and tucked out of the way of drawers and doors where an external flush or surface mounted handle just gets in the way.	101mm	<ul style="list-style-type: none"> <li>• 90° pivot</li> <li>• Flush mount</li> <li>• Easy installation</li> <li>• Stylish finish</li> </ul>

## FOR ENQUIRIES:

Call us on: 1300 767 567

WA Store: 102 Briggs Street Welshpool WA 6106

QLD Store: 2/17 Alexandra Place Murarrie QLD 4172

Email: [websales@indrub.com.au](mailto:websales@indrub.com.au)

Web: [www.indrub.com.au](http://www.indrub.com.au)



# I.R.S.

**RUBBER  
HARDWARE  
TAPES  
SEALANTS**