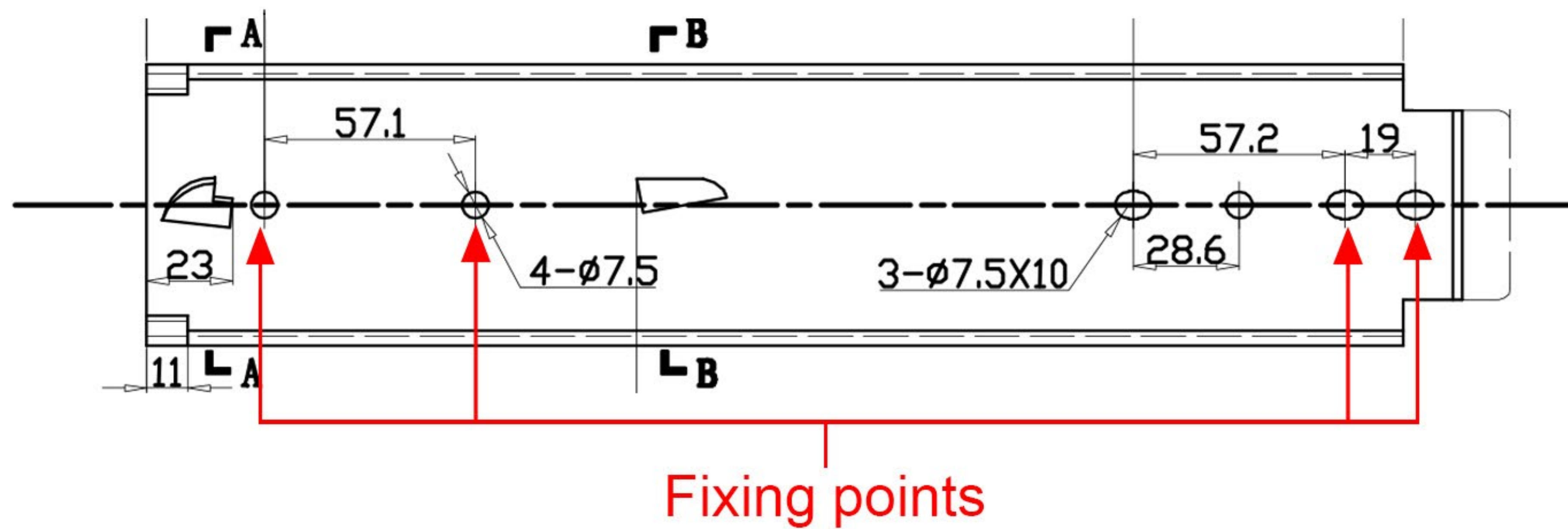
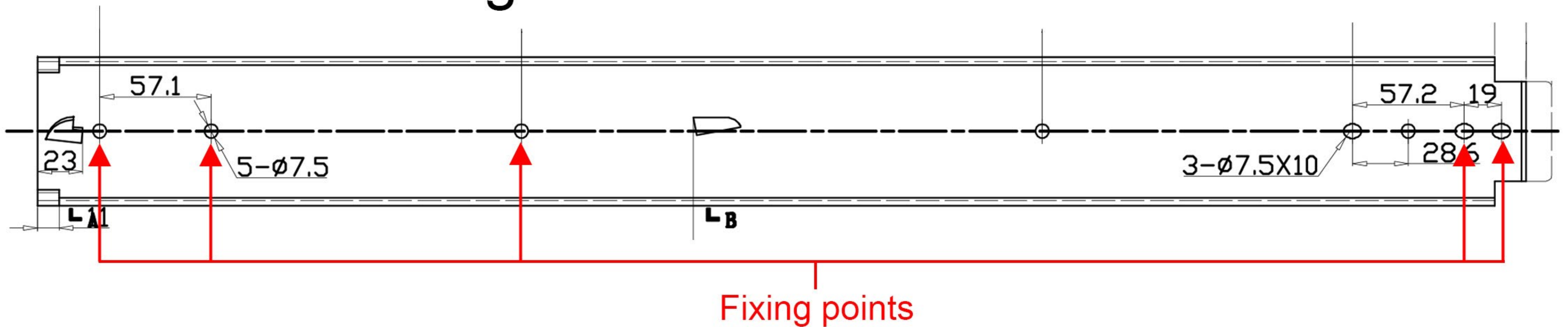


227kg Drawer Slides (locking) - Fixing Points

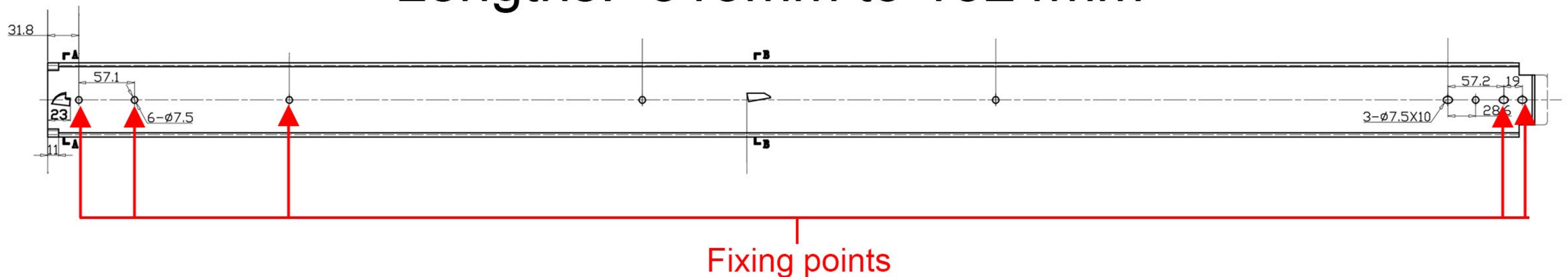
Lengths: 355mm to 711mm



Length: 762mm



Lengths: 813mm to 1524mm



- Do not lubricate drawer slides.
- Use only flat head fixings i.e stainless steel.
- Ensure all construction is square.
- Do not drill through the holes on the sides of the slides.
- No metal shavings or dirt should be in slide tracks.



Note: Drawing scales vary.

FOR ENQUIRIES:

Call us on: 1300 767 567

WA Store: 102 Briggs Street Welshpool WA 6106

QLD Store: 2/17 Alexandra Place Murarrie QLD 4172

Email: websales@indrub.com.au

Web: www.indrub.com.au



I.R.S.

**RUBBER
HARDWARE
TAPES
SEALANTS**