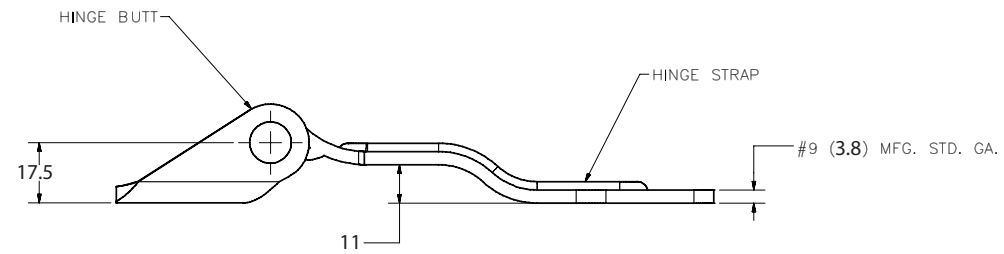
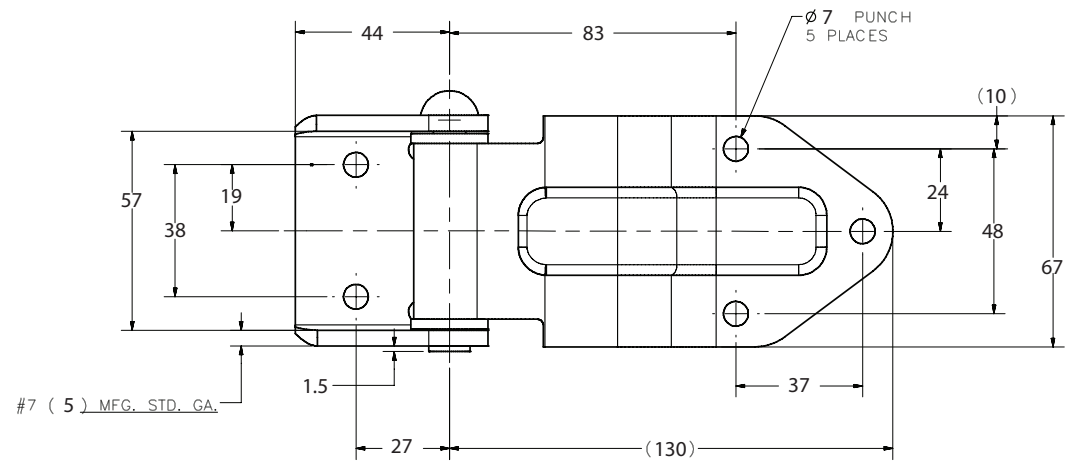
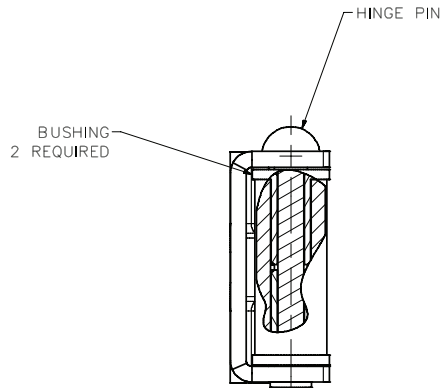
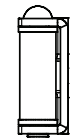
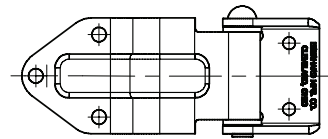


CONFIDENTIAL NOTICE: This drawing and the designs, specifications and engineering information disclosed herein are the property of Eberhard Manufacturing Company and are not to be disseminated or reproduced without express written consent. The drawing is loaned in confidence and then only for consideration of the matter disclosed herein. In accepting loan of this drawing, recipient agrees to keep it and the matter disclosed herein in confidence and not to use nor permit their use in any way detrimental to Eberhard Manufacturing Company, Division of the Eastern Company, 21844 Drake Road, Cleveland, Ohio 44149-9712. © 2012 EBC. EBC-80-MFG-CO

| REVISION HISTORY |                        |      |           |
|------------------|------------------------|------|-----------|
| RE V             | DESCRIPTION            | EN   | DATE      |
| 1                | RE VISE D AND RE DRAWN | 5568 | 8/24/2012 |



NOTES:  
1. FINISH: (25) ZINC WITH CLEAR



RIGHT HAND SHOWN  
SCALE 1:2

CUSTOMER PRINT  
SHEET 1 OF 2

LEFT HAND SHOWN  
RIGHT HAND OPPOSITE

|  |       |           |          |
|--|-------|-----------|----------|
| THIS DOCUMENT IS IN ACCORDANCE WITH<br>ASME Y14.15-2009  |       | DATE      | NAME     |
| UNLESS OTHERWISE SPECIFIED<br>TOLERANCES ARE AS FOLLOWS: |       | 8/22/2012 | glugas   |
| LINEAR MEASUREMENT                                       | MM    | SCALE     | MATERIAL |
| 2 PLACE DEC:   | ±.03  | ±.2       | 5868-R/L |
| 3 PLACE DEC:   | ±.015 | ±.38      |          |
| ALL HOLES:   | ±.005 | ±.13      |          |

SUPSEDES DRAWING 5868 DATED 9-25-1996

C:\Working\_Folder\Archive\Pro\5868X\5868-L 5H1.dwg