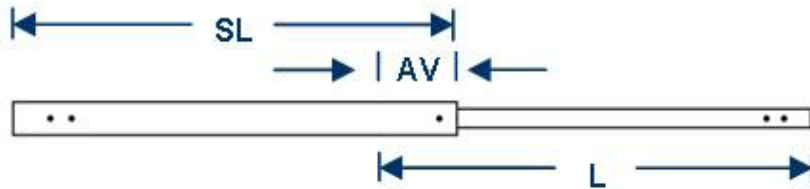
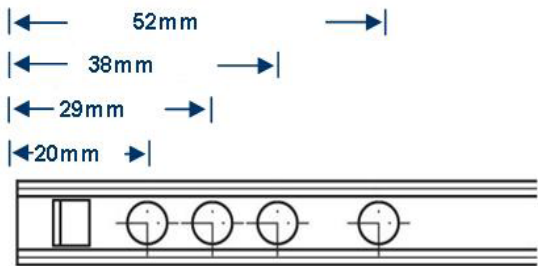
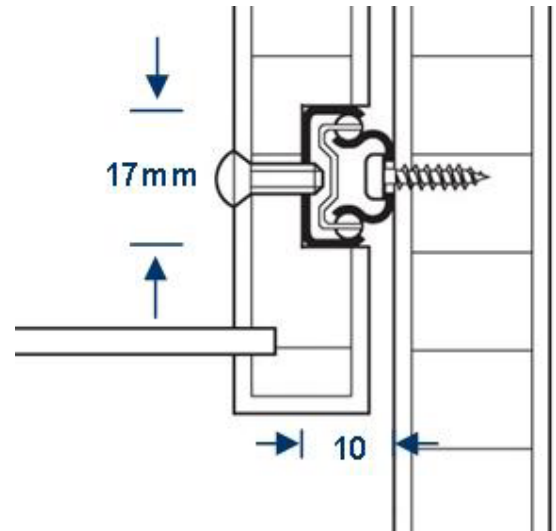


DRAWER SLIDES

10KG GROOVE MOUNTING DRAWER SLIDES

H1



- Load capacity: 10 kg/pair
- Material: Steel
- Finish: Galvanised
- Guided by: 2 ball cages
- Fitting to the side panel: Screw fixing, surface mounting
- Fitting to drawer: Screw fixing, groove mounted
- max. drawer width = internal carcase width - 20mm, plus 2x groove depth
- Weight: 240 grams/pair

PART NO.	DRAWER DEPTH MIN.	DRAWER DEPTH MAX.	CARCASE RAIL L	EXTENSION LOSS AV
DS420.59.918	185mm	274mm	182mm	76mm
DS420.68.253	250mm	390mm	246mm	76mm
DS420.68.315	315mm	520mm	310mm	76mm
DS420.68.379	374mm	615mm	374mm	76mm



I.R.S.

1300 767 567

**RUBBER
HARDWARE
TAPES
SEALANTS**

WA Store: 102 Briggs Street, Welshpool 6106
 QLD Store: 17 Alexandra Place, Murarrie 4172
 Email: websales@indrub.com.au

www.indrub.com.au