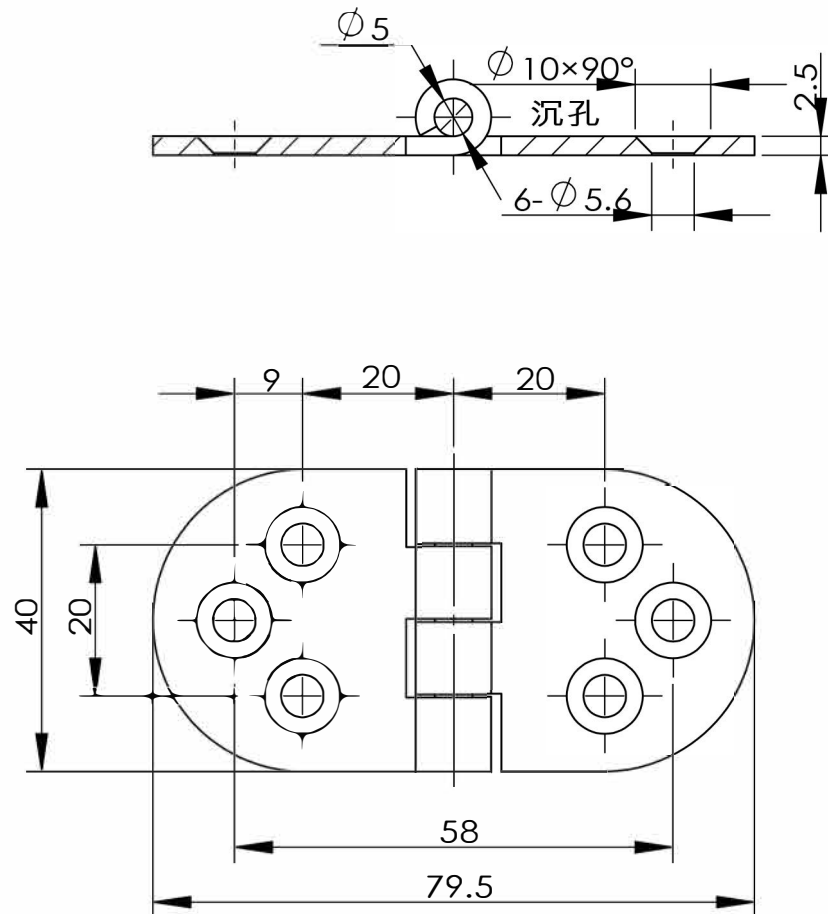


# Stainless Steel Butt hinge

## NSCL238x79.5

Electrolysis Satin finish Stainless Steel 304 butt hinge 40MM wide X 79.5MM length X 2.5MM thick 304 grade with 6 counter sunk mounting holes



**I.R.S.**

Build With Quality

RUBBER  
HARDWARE  
TAPES  
SEALANTS

1300 767 567

[www.indrub.com.au](http://www.indrub.com.au)