

A10

RUBBER MOULDING

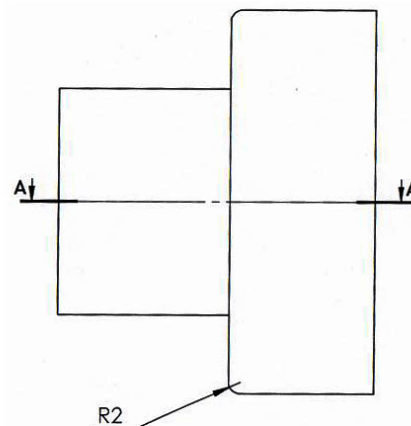
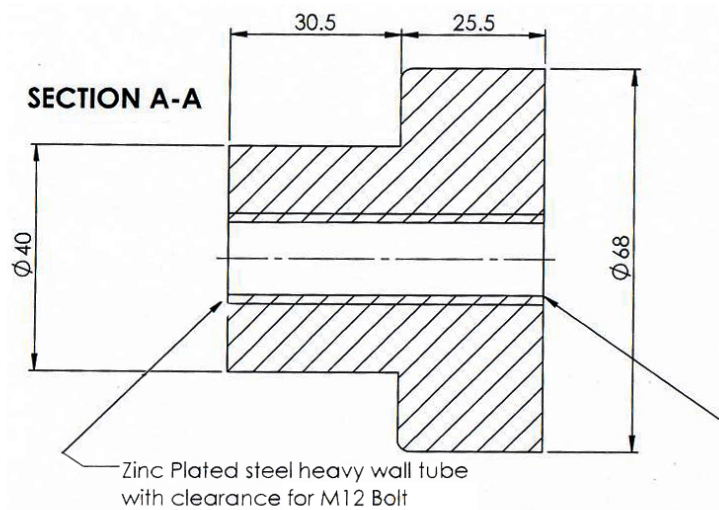
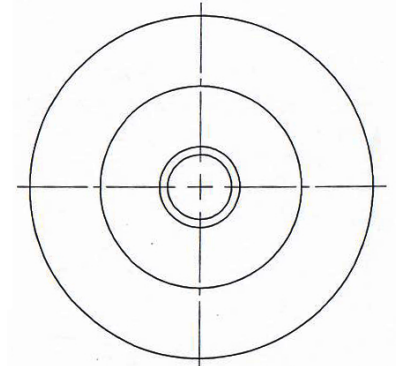
Rubber isolator with crush tube

RM7840-1 (Lower Part)

Neoprene Rubber Isolator with cast in Crush tube.

- * Neoprene Rubber 65-70 Shore A hardness
- * zinc plated steel tube M12 bolt
- * Temperature -30 °C to +80 °C.
- * 250kg weight capability

(note: Upper part of the connecting isolator available : Code RM7840-1)



Material: 65 Shore Harness Rubber
Colour: Black

PART NO.	DESCRIPTION
RM7940-1	Hardness: 65-70 shore A, Temperature range: -30 to +80c, Weight capability: 250kg, Dimensions: 70mm x 75mm



I.R.S.
Build With Quality

RUBBER
HARDWARE
TAPES
SEALANTS

1300 767 567

www.indrub.com.au