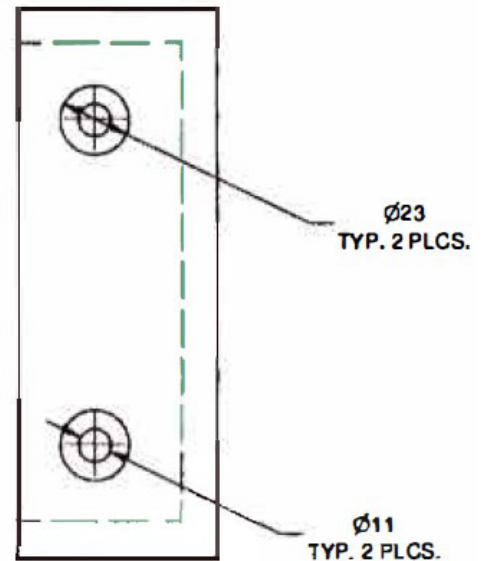
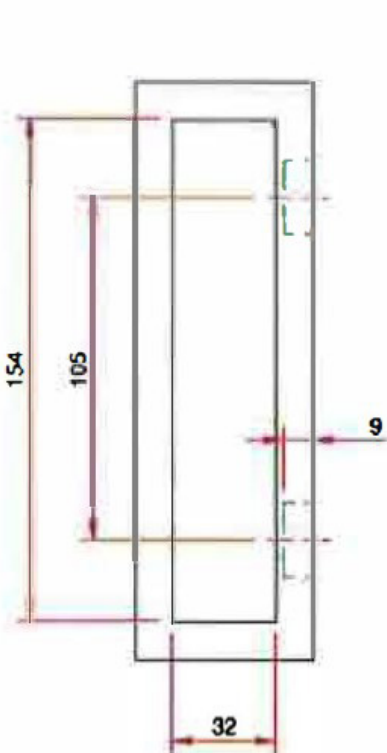
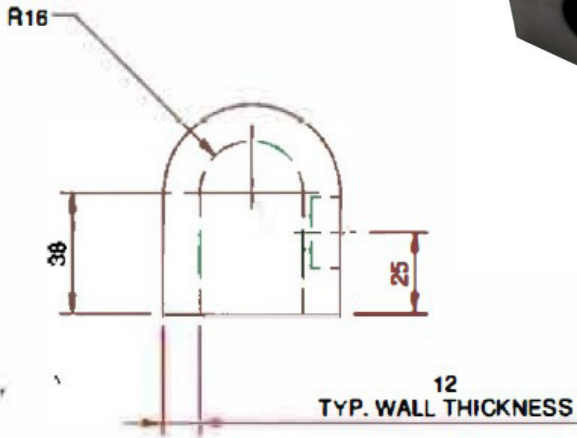


A6

# RUBBER MOULDING

## EPDM Grab Head Buffer



PART NO.	DESCRIPTION
RMM177	154mm long x 56 wide



**I.R.S.**  
Build With Quality

RUBBER  
HARDWARE  
TAPES  
SEALANTS

1300 767 567

[www.indrub.com.au](http://www.indrub.com.au)