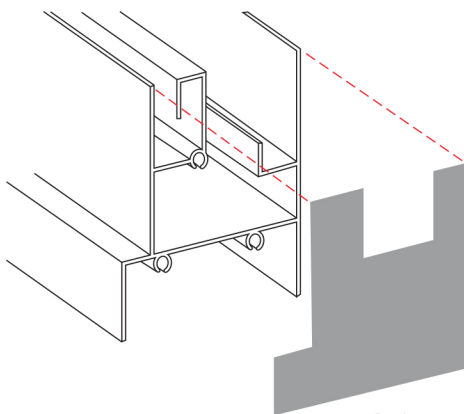


# Adhesive foam tapes & custom converting solutions

## Ensuring a Reliable Seal, Time and Time Again

tesa® Adhesive Foam Tapes are designed for a variety of sealing and damping applications, and are widely used across many industries. Our foam tape can be used to seal out moisture, dust, draughts, fumes, light and insects, eliminate or reduce noise and vibration, provide impact resistance, cushioning and protection, or even dissipate stress on various assembled components.

Our comprehensive range is designed to solve even the most challenging applications, with solutions that offer various features including high conformability, abrasion resistance, extreme environmental resistance and petrochemical resistance. Our custom converting options offer unique solutions to optimize processes and ensure a reliable seal.



Gasket made from  
tesa® 64701

### Our custom converting solutions include:

- Slitting adhesive foam rolls to custom widths
- Kiss cut gaskets, that peel off the liner in roll form
- Die cut gaskets, that are provided as loose pieces

### Benefits of custom converting solutions

- Increased design flexibility, with gaskets custom made for the application
- Increased efficiencies, with quick and easy to apply gaskets
- Reduced processing costs, as gaskets reduce labour costs and wastage



tesa® Authorised Converting Partner:

I.R.S Pty Ltd

Phone: 1300 767 567

Web: [www.indrub.com.au](http://www.indrub.com.au)