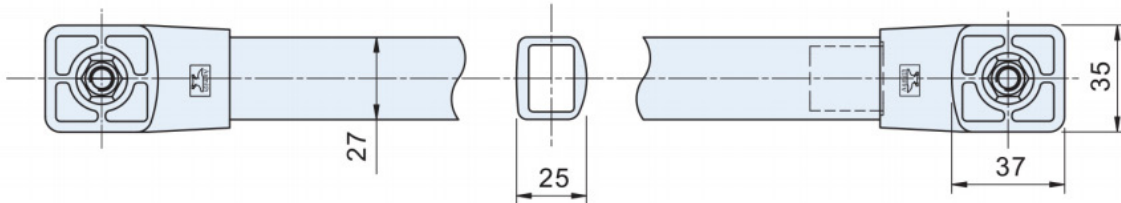
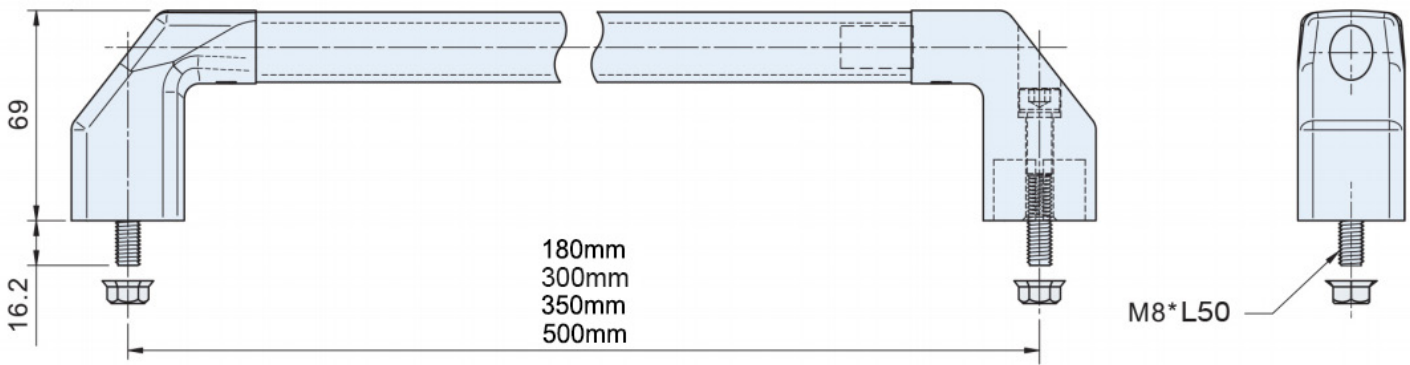


LOCKS & HANDLES

ALUMINIUM HANDLE

C1



Features

- Resistance to acid, alkali, greasiness.
- Holder attach M8*L50 screw, the outlook is artistic.
- Weathering resistance of PA holder is -20°C - $+150^{\circ}\text{C}$.
- Could be quick installed on the panel with a tapped hole or with a normal hole by nut.
- Tighten the screw from outside, working space is not effected by the cabinet inner space.

Material and Finish

- Holder: Polyamide (PA6-GF33), Black.
- Handle: Aluminium alloy (6063), Anodized in natural or black colour.

PART NO.	DESCRIPTION	LENGTH (MM)
AS-E69180	Handle 180mm aluminium, 100kg load, weathering resistant -20°C - $+150^{\circ}\text{C}$.	180
AS-E69300	Handle 300mm aluminium, 100kg load, weathering resistant -20°C - $+150^{\circ}\text{C}$.	300
AS-E69350	Handle 350mm aluminium, 100kg load, weathering resistant -20°C - $+150^{\circ}\text{C}$.	350
AS-E69500	Handle 500mm aluminium, 100kg load, weathering resistant -20°C - $+150^{\circ}\text{C}$.	500



I.R.S.
1300 767 567

**RUBBER
HARDWARE
TAPES
SEALANTS**

Email: websales@indrub.com.au

www.indrub.com.au