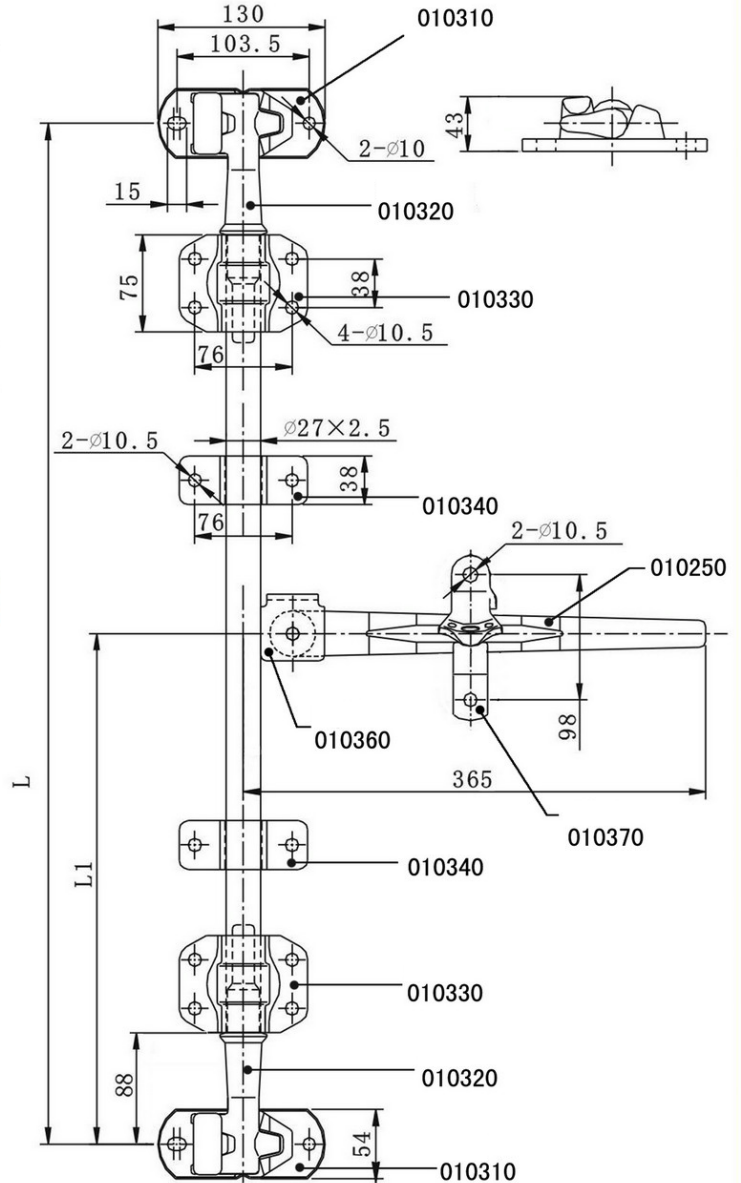
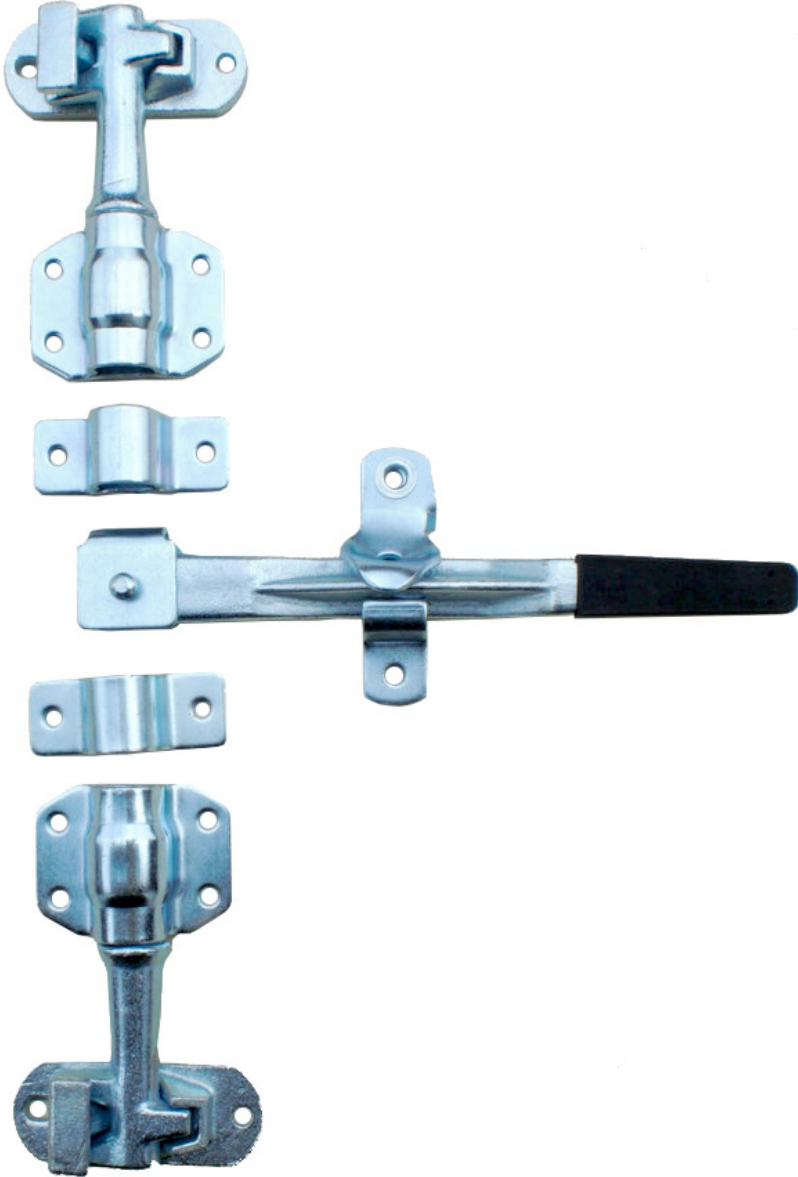


# BODY HARDWARE

BHCV1803 CAM LOCK KIT - LONG NECK ZINC

B19



PART NO.	DESCRIPTION
BHCV1803	Cam lock kit - long neck. Weight: 5.5kg. Material: Steel. Surface Treatment: Zinc plated.



**I.R.S.**

1300 767 567

**RUBBER  
HARDWARE  
TAPES  
SEALANTS**

WA Store: 148 Welshpool Road, Welshpool 6106  
 QLD Store: 17 Alexandra Place, Murarrie 4172  
 Email: websales@indrub.com.au

[www.indrub.com.au](http://www.indrub.com.au)