

# BODY HARDWARE

## B16

## WHEELS

AS-GN-A25201



AS-GN-A25202



AS-GU-A3-1



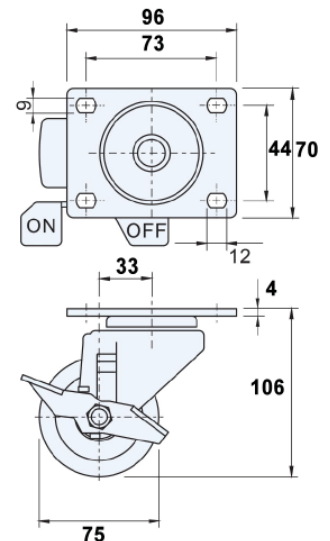
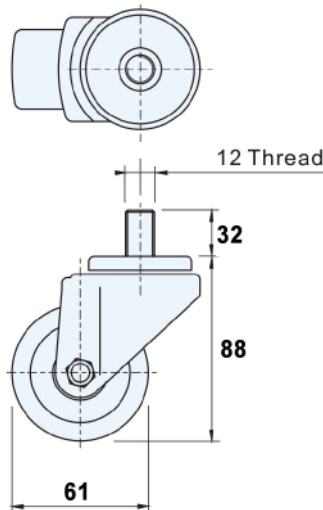
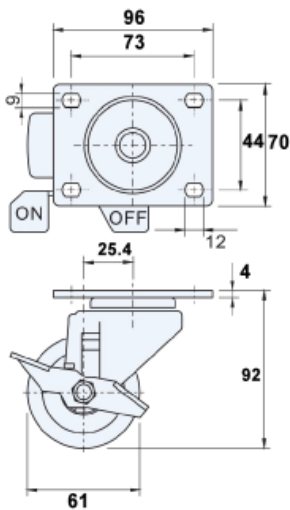
AS-GN-A25203



AS-GN-A25206



AS-GU-A3-2



PART NO.	DESCRIPTION
AS-GN-A25201	Heavy duty swivel plate castor is rated to 100kg and has zinc plated mounting plate and legs and black nylon wheels.
AS-GN-A25202	Heavy duty swivel stem castor is rated to 100kg and has zinc plated mounting stem and legs and black nylon wheels.
AS-GN-A25203	Heavy duty locking swivel plate castor is rated to 100kg and has zinc plated mounting plate and legs and black nylon wheels.
AS-GN-A25206	Heavy duty locking swivel stem castor is rated to 100kg and has zinc plated mounting plate and legs and black nylon wheels.
AS-GU-A3-1	Heavy duty swivel plate castor is rated to 250kg and has zinc plated mounting plate and legs and red polyurethane wheels.
AS-GU-A3-2	Heavy duty locking swivel plate castor is rated to 250kg and has zinc plated mounting plate and legs and red polyurethane wheels.



**I.R.S.**

1300 767 567

**RUBBER  
HARDWARE  
TAPES  
SEALANTS**

Email: [websales@indrub.com.au](mailto:websales@indrub.com.au)

[www.indrub.com.au](http://www.indrub.com.au)