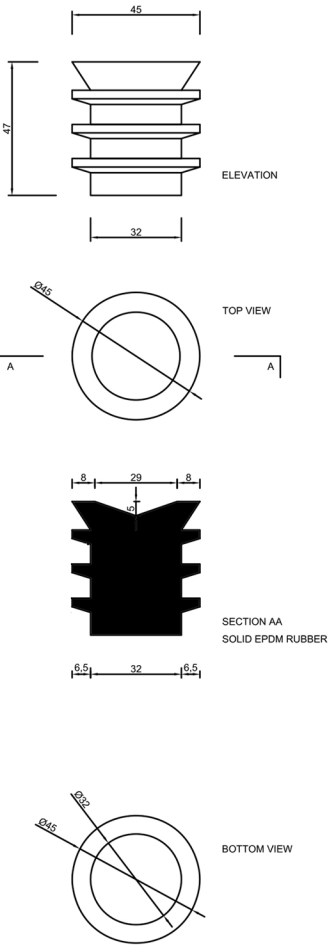
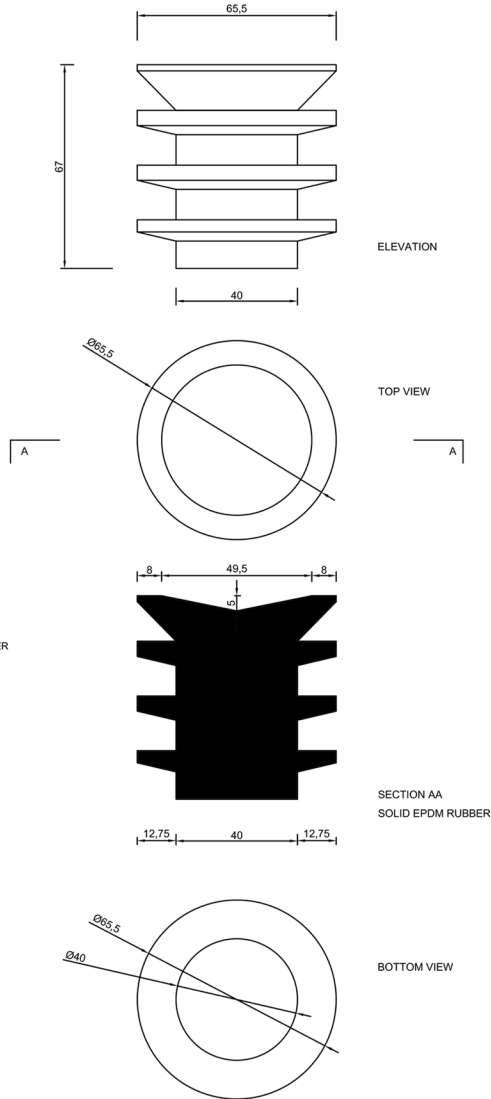


Concrete Slurry Plugs

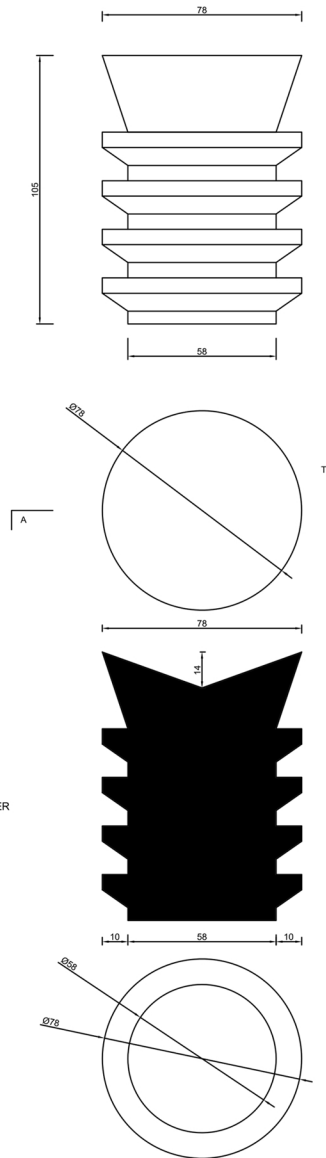
RM2020
Solid EPDM Rubber
50 ShoreA Hardness
56gram



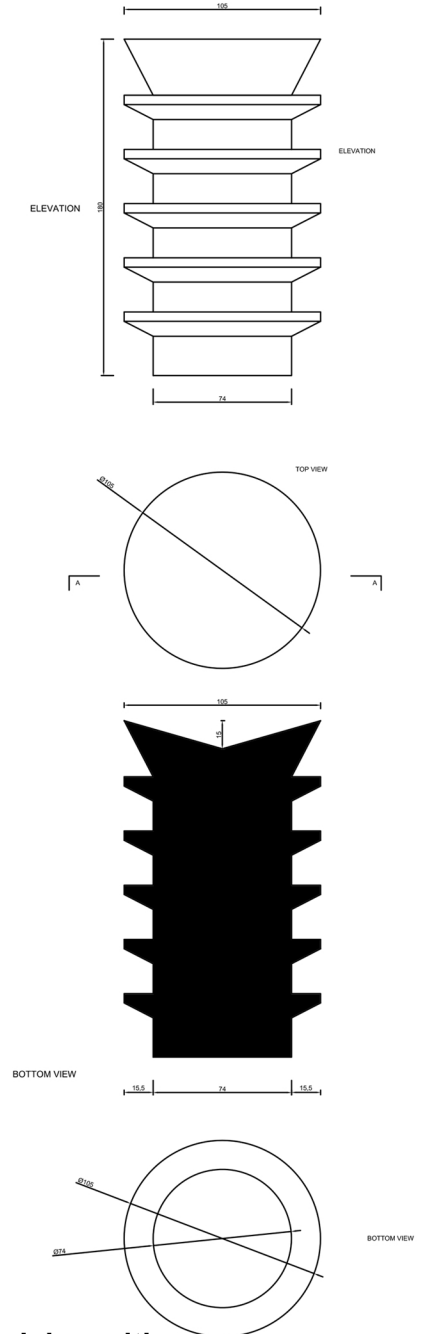
RM2021
Solid EPDM Rubber
50 ShoreA Hardness
150gram



RM2022
Solid EPDM Rubber
50 ShoreA Hardness
396gram



RM2023
Solid EPDM Rubber
50 ShoreA Hardness
1.1kg



A concrete plug is a rubber plug that is used to separate cement slurry from mixing with other fluids. This reduces contamination and maintains the consistency of the slurry. Proper placing of cement plug minimizes material wastage and wasted rig time.



I.R.S.
Build With Quality

RUBBER
HARDWARE
TAPES
SEALANTS

1300 767 567

www.indrub.com.au