

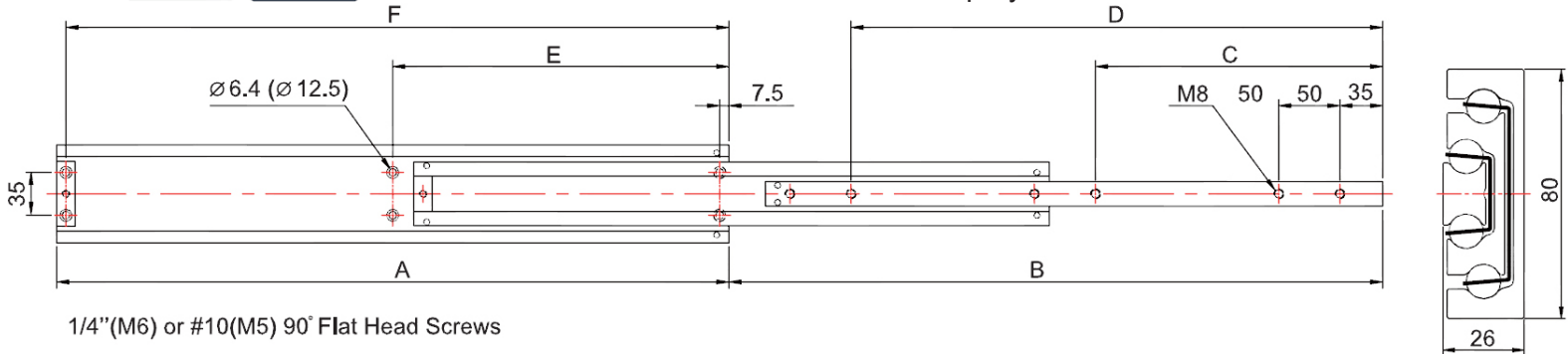
DRAWER SLIDES

H14

300KG DRAWER SLIDES (ALUMINIUM)



Aluminium material: 7075 alloy (aerospace grade) Coating: Anodized Aluminium
Corrosion resistance more than 100hr salt spray test



1/4" (M6) or #10 (M5) 90° Flat Head Screws

PRODUCT CODE	SLIDE LENGTH A (MM)	SLIDE TRAVEL B (MM)	C (MM)	D (MM)	E (MM)	F (MM)	LOAD CAPACITY (KG)
DSCHHD300MM-300KG	300	285	185	-	150	292.5	250
DSCHHD350MM-300KG	350	335	235	-	175	342.5	260
DSCHHD400MM-300KG	400	385	285	-	200	392.5	270
DSCHHD450MM-300KG	450	435	335	-	225	442.5	280
DSCHHD500MM-300KG	500	485	385	-	250	492.5	300
DSCHHD550MM-300KG	550	535	235	435	275	542.5	320
DSCHHD600MM-300KG	600	585	260	485	300	592.5	330
DSCHHD650MM-300KG	650	635	285	535	325	642.5	315
DSCHHD700MM-300KG	700	685	310	585	350	692.5	300
DSCHHD750MM-300KG	750	735	335	635	375	742.5	290
DSCHHD800MM-300KG	800	785	360	685	400	792.5	280
DSCHHD850MM-300KG	850	835	385	735	425	842.5	270
DSCHHD900MM-300KG	900	885	410	785	450	892.5	260
DSCHHD950MM-300KG	950	935	435	835	475	942.5	250
DSCHHD1000MM-300KG	1000	985	460	885	500	992.5	240



I.R.S.
1300 767 567

**RUBBER
HARDWARE
TAPES
SEALANTS**

Email: websales@indrub.com.au

www.indrub.com.au