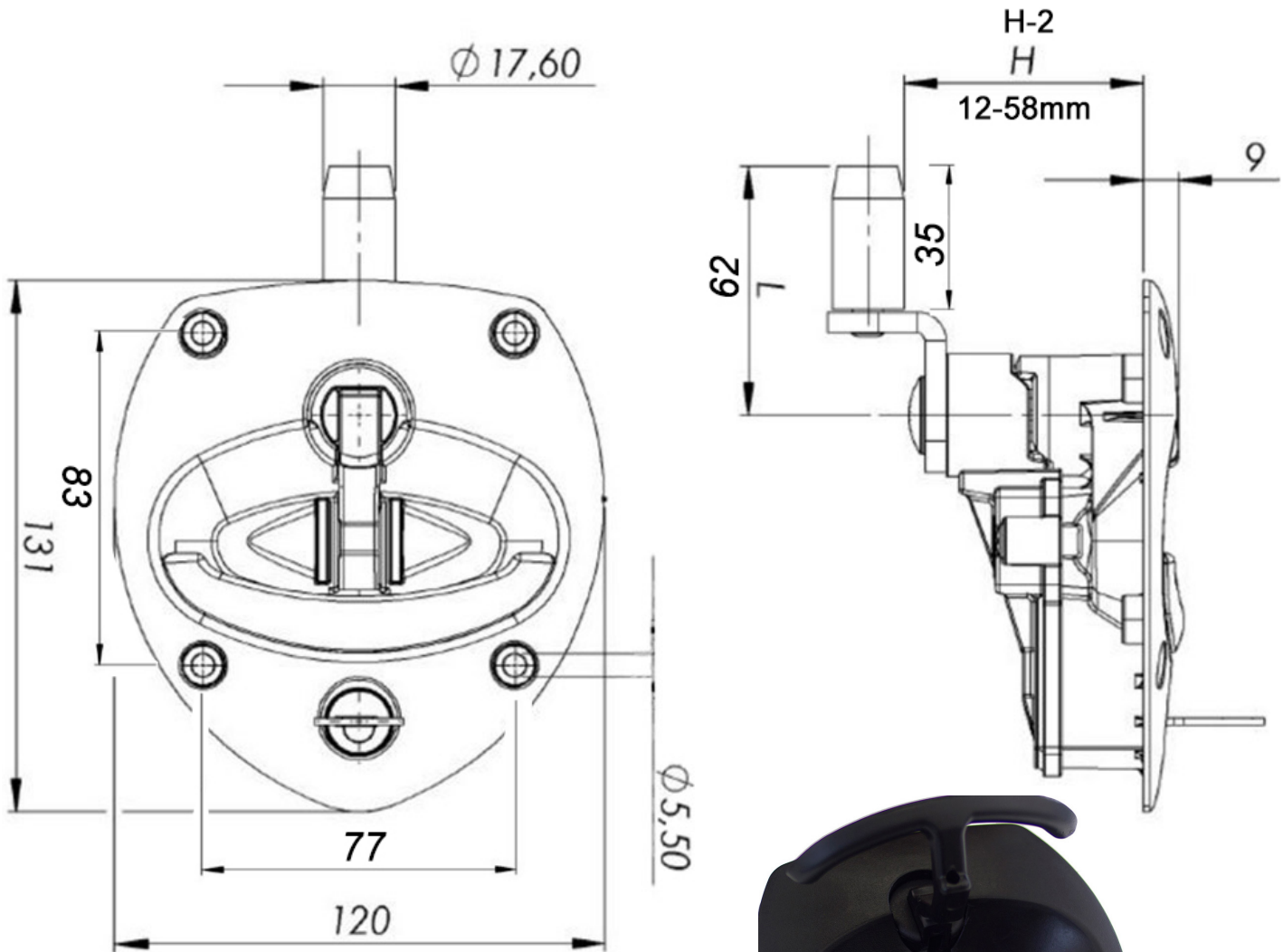


LOCKS & HANDLES

DROP 'T' COMPRESSION HANDLE

C63



H-2: 18-63mm (When the release handle is fully opened)



PART NO.	DESCRIPTION
NS18400fpd-001	Fibre reinforced folding 'T' handle compression lock, Black powder coating, Heavy duty T handle lock/compression, Simple to install nylon handle, Used in body hardware applications, Horse floats, toolboxes, service body trucks



I.R.S.

1300 767 567

**RUBBER
HARDWARE
TAPES
SEALANTS**

Email: websales@indrub.com.au

www.indrub.com.au