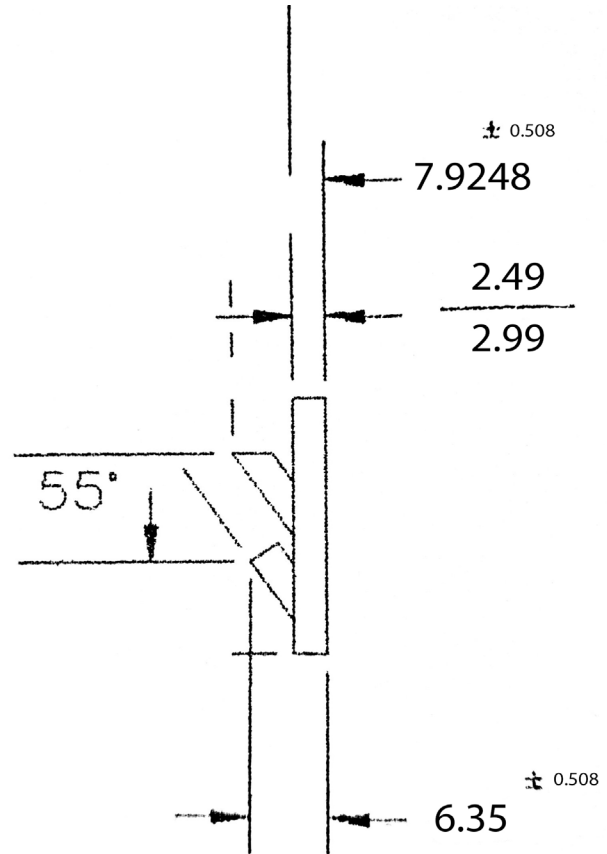
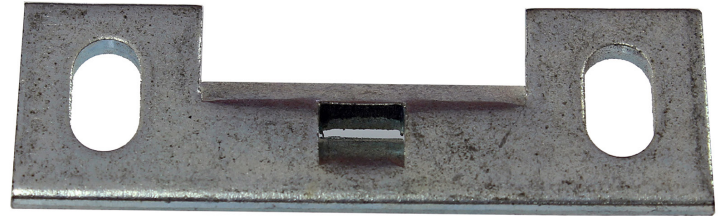
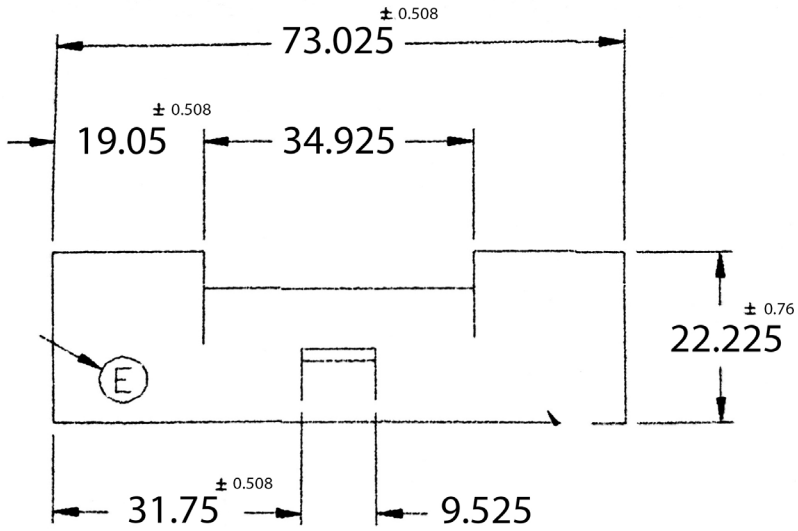


BODY HARDWARE

Eberhard Striker plate Zinc Plated

B29



PART NO.	DESCRIPTION
EB5619-A	Eberhard Striker plate Zinc Plated. Internal and external access doors, Crane cabin doors, Train cabin doors



I.R.S.
Build With Quality

RUBBER
HARDWARE
TAPES
SEALANTS

1300 767 567

www.indrub.com.au