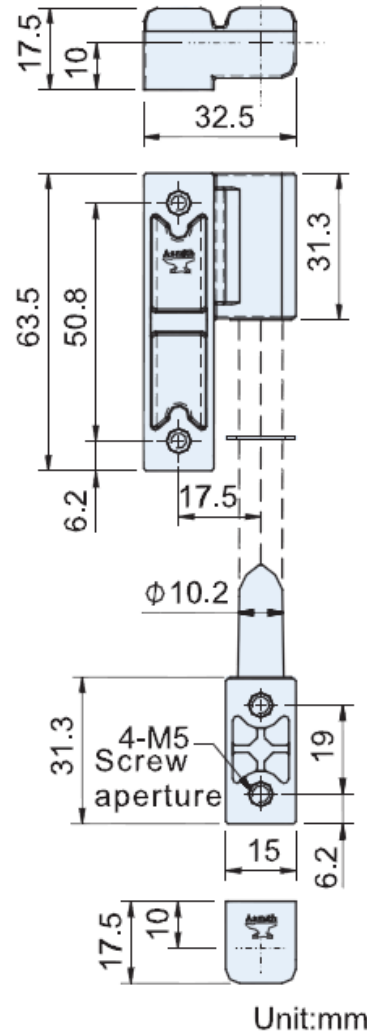
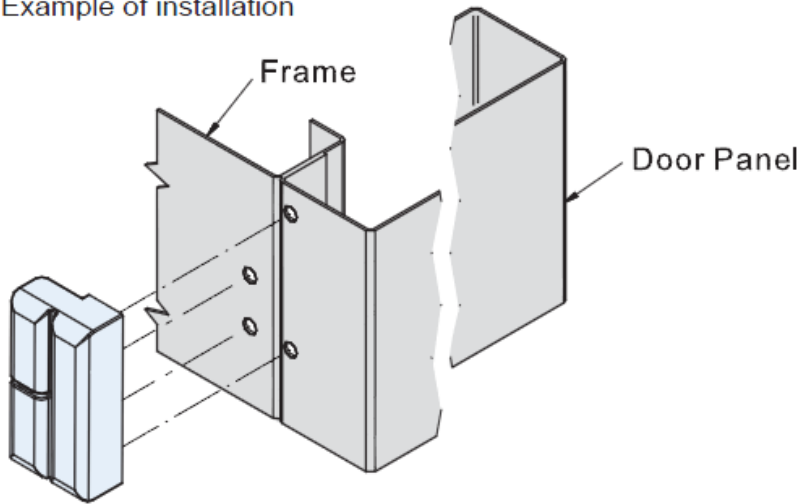


HINGES

PIN - LIFT OFF HINGES (Left & Right)

D7

Example of installation



Lift-off hinges allow for easy removal of doors and panels and can be permanently mounted. The aluminum alloy is a lighter-than-Zinc alloy. The special finish stands climate salt test at 400 hours.

PART NO.	DESCRIPTION
AS-AA-0220-L	Lift-off hinge (left hand). Load capacity (2pcs): 112kg. Weight: 56g.
AS-AA-0220-R	Lift-off hinge (right hand). Load capacity (2pcs): 112kg. Weight: 56g.



I.R.S.

1300 767 567

**RUBBER
HARDWARE
TAPES
SEALANTS**

WA Store: 148 Welshpool Road, Welshpool 6106
 QLD Store: 17 Alexandra Place, Murarrie 4172
 Email: websales@indrub.com.au

www.indrub.com.au