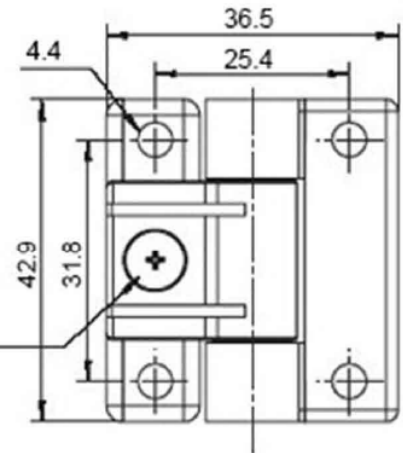
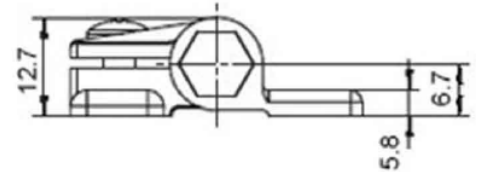
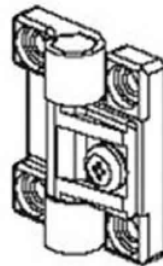


HINGES

D16

POSITION CONTROL TORQUE HINGE

- Torque position control hinge
- Dimension: 42mm x 36mm
- Operating temperature: -5 to 60 degrees Celsius
- Holds door open in desired torque
- Nylon with polycarbonate pin
- Radial load: 1785 N
- Axial load: 895 N
- Diameter of mounting holes: 4.4mm



PART NO.	DIMENSIONS	DESCRIPTION	FEATURES:
NSB2215-1180E6	42mm x 36mm	Position control torque hinge	Holds door open in desired torque



I.R.S.
1300 767 567

**RUBBER
HARDWARE
TAPES
SEALANTS**

WA Store: 148 Welshpool Road, Welshpool 6106
QLD Store: 17 Alexandra Place, Murarrie 4172
Email: websales@indrub.com.au

www.indrub.com.au