

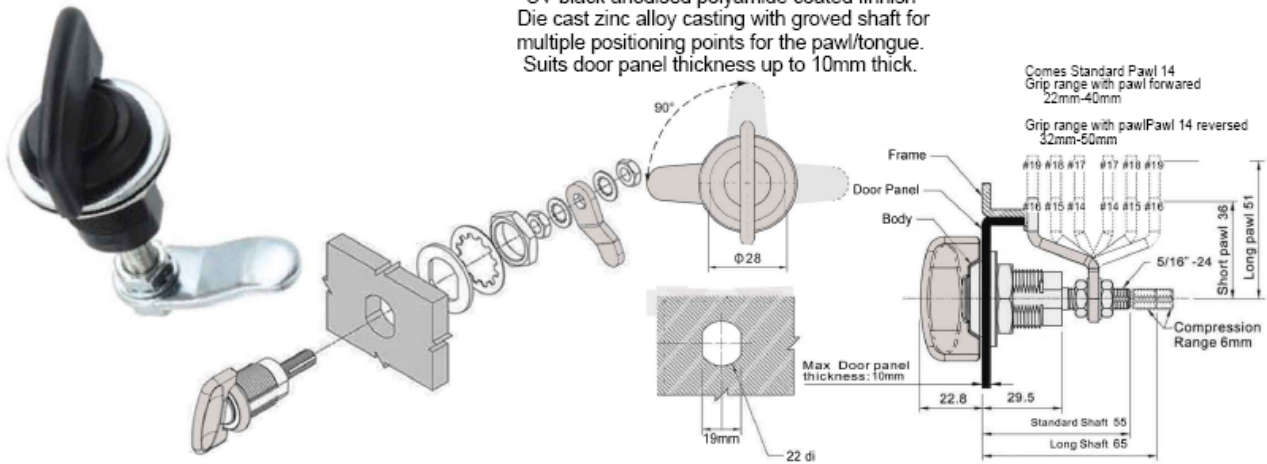
LOCKS & HANDLES

QUARTER TURN COMPRESSION LATCHES

C79

AS-BZ0322914

Wingtop compression latch
UV black anodised polyamide coated finish
Die cast zinc alloy casting with grooved shaft for multiple positioning points for the pawl/tongue.
Suits door panel thickness up to 10mm thick.

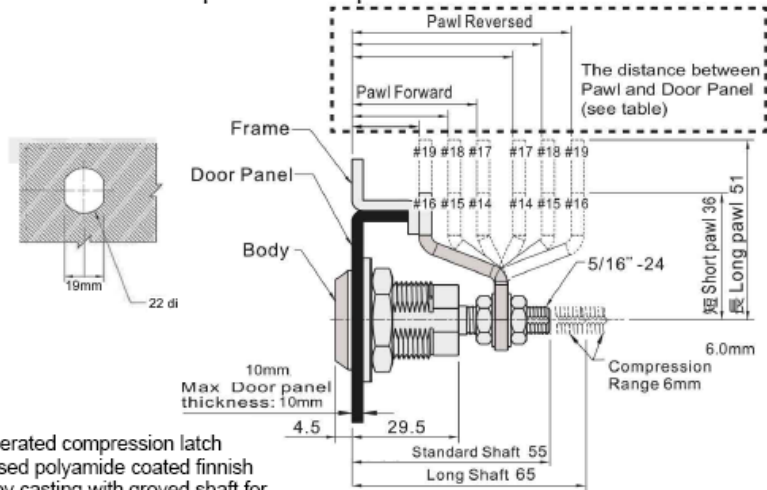


AS-BZ-0321918 (pawl 18 short)

Triangle key operated compression latch
UV black anodised polyamide coated finish
with a die cast zinc alloy casting with grooved shaft for multiple positioning points for the pawl/tongue.
suits door panel thickness up to 10mm thick.



AS - 203019Z TRI KEY



AS-BZ-0320916 (pawl 16 short)

HEX key operated compression latch
UV black anodised polyamide coated finish
Die cast zinc alloy casting with grooved shaft for multiple positioning points for the pawl/tongue.
Suits door panel thickness up to 10mm thick.



AS - 203009Z HEX KEY

Shaft	Other sizes available on request				Pawl Type		The distance between Pawl and Door Panel		Weight(g)	
	Item No.				Short	Long	Pawl Forward	Pawl Reversed	Short	Long
Standard	BZ-0320914	BZ-0320917	BZ-0321914	BZ-0321917	14	17	32~40	42~50	112	117
	BZ-0320915	BZ-0320918	BZ-0321915	BZ-0321918	15	18	24~32	50~58	114	118
	BZ-0320916	BZ-0320919	BZ-0321916	BZ-0321919	16	19	16~24	58~66	116	120
Long	BZ-0330914	BZ-0330917	BZ-0331914	BZ-0331917	14	17	42~50	52~60	115	120
	BZ-0330915	BZ-0330918	BZ-0331915	BZ-0331918	15	18	34~42	60~68	117	121
	BZ-0330916	BZ-0330919	BZ-0331916	BZ-0331919	16	19	26~34	68~76	119	123



I.R.S.
1300 767 567

**RUBBER
HARDWARE
TAPES
SEALANTS**

Email: websales@indrub.com.au

www.indrub.com.au