

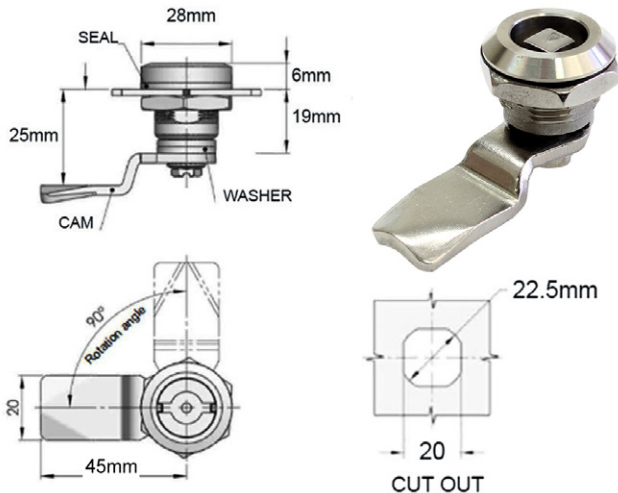
LOCKS & HANDLES

C76

QUARTER TURN THUMB / SQUARE-SOLID or SLOTTED and KEY to SUIT

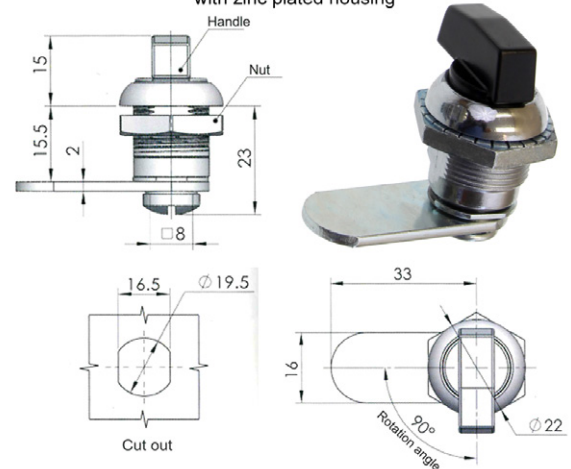
NSSQ118SS

Quarter Turn Key Latch 316 Marine grade
Stainless Steel 8mm Square drive supplied with EPDM UV Stable rubber washer to help achieve water tightness



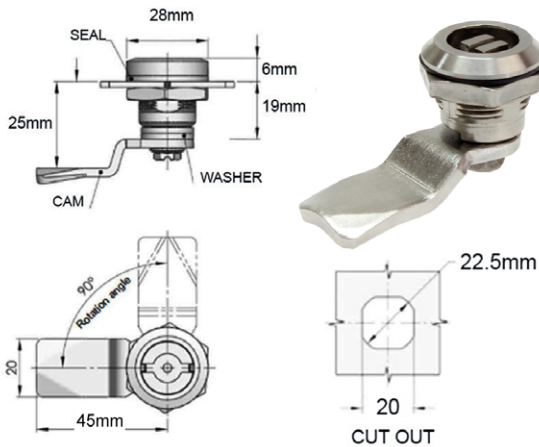
LL3406

Quarter Turn Thumb Latch Bright Chrome dome housing
Black powder coated UV stable locking / pull tab with zinc plated housing



NSSQ118LSS

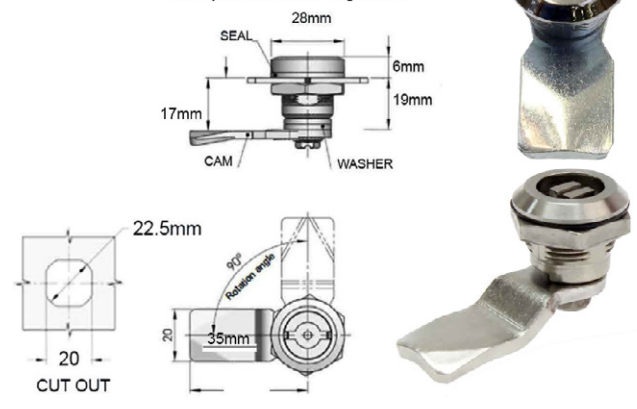
Quarter Turn Slot Key Latch 316 Marine grade
Stainless Steel 8mm Square drive supplied with EPDM UV Stable rubber washer to help achieve water tightness



Quarter Turn Key Die cast zinc
8mm Square drive
NSSQ118KEY

NSSQ118SQ8X8 NSQ118-slotted

Quarter Turn Key Latch Die cast zinc housing
8mm Square drive supplied with EPDM UV Stable Rubber washer to help achieve water tightness



PART NO.	DESCRIPTION
NSSQ118SS	Quarter turn key latch 316 marine grade stainless steel 8mm square drive supplied with EPDM UV stable rubber washer to help achieve water tightness
NSSQ118LSS	Quarter turn slot key latch 316 marine grade stainless steel 8mm square drive supplied with EPDM UV stable rubber washer to help achieve water tightness
LL3406	Quarter turn thumb latch bright chrome dome housing black powder coated UV stable locking / pull tab with zinc plated housing
NSSQ118SQ8X8	Quarter turn key latch die cast zinc housing 8mm square drive supplied with EPDM UV stable rubber washer to help achieve water tightness. (NSQ118 - slotted version)
NSSQ118KEY	Quarter turn key die cast zinc 8mm square drive



I.R.S.

1300 767 567

**RUBBER
HARDWARE
TAPES
SEALANTS**

Email: websales@indrub.com.au

www.indrub.com.au