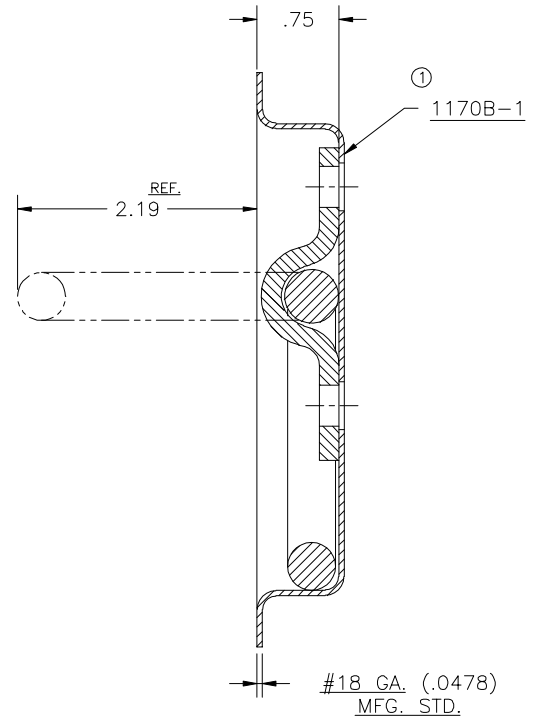
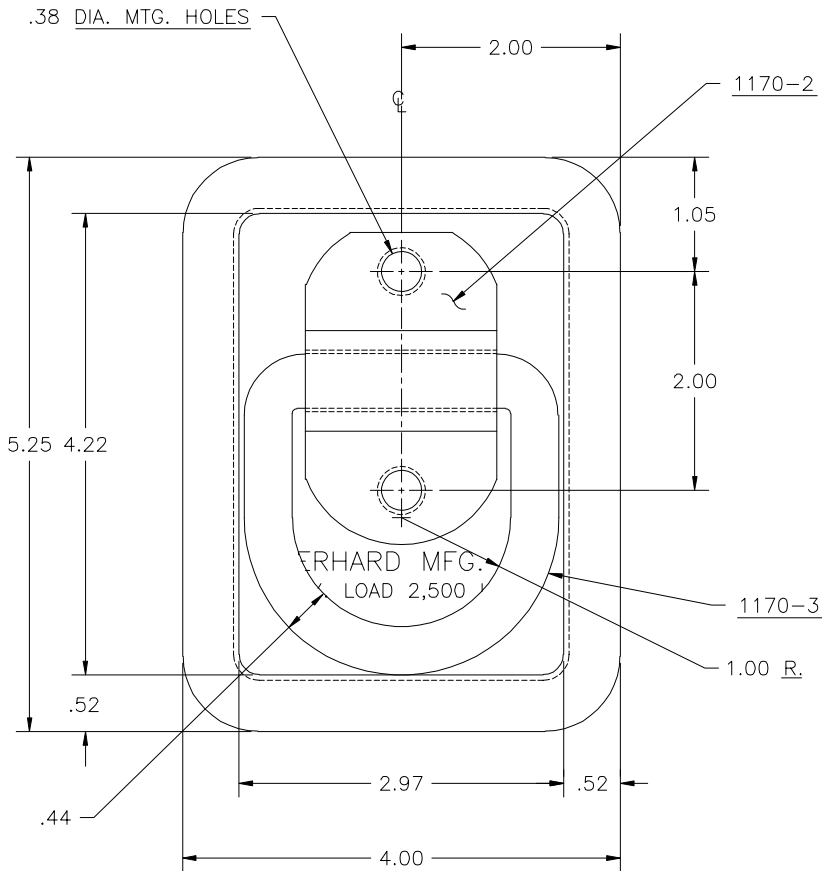


# BODY HARDWARE

## TIE DOWN EB1170-B

# B11



**NOTES:**

1. PARTS 1170B-1, 1170-2 AND 1170-3 TO BE SHIPPED LOOSE.
- ② SUGGESTED MAXIMUM LOAD ON 1170-3 RING NOT TO EXCEED 2,500 LBS.

PART NO.	DESCRIPTION
EB1170-B	Heavy duty zinc plated tie down 2500 lbs



**I.R.S.**

1300 767 567

**RUBBER  
HARDWARE  
TAPES  
SEALANTS**

Email: [websales@indrub.com.au](mailto:websales@indrub.com.au)

[www.indrub.com.au](http://www.indrub.com.au)