



I.R.S.

Build With Quality

RUBBER
HARDWARE
TAPES
SEALANTS
CUTTING

1300 767 567

www.indrub.com.au

Heavy-Duty Zinc Alloy Butt Hinge

This high-quality, long-life hinge is precision engineered from durable zinc alloy, designed to withstand harsh environmental conditions. Finished with a premium protective coating of either powder coated black, or chrome-plating. It offers excellent corrosion resistance and long term reliability.

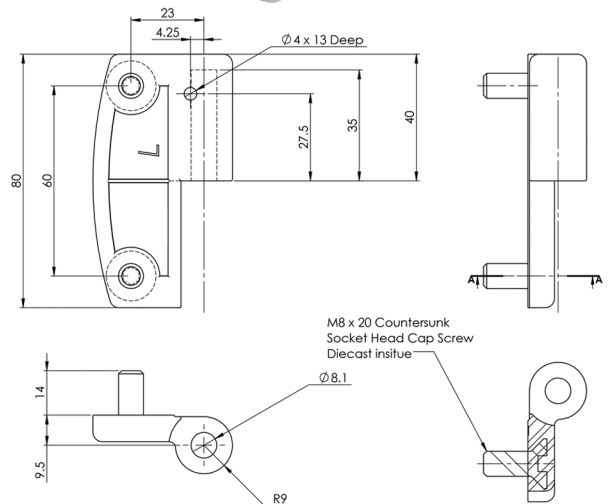
Commonly used for canopy doors and ute trays, this versatile hinge can also be adapted to suit a wide range of custom projects and applications.

Features:

- High-quality zinc alloy butt hinge construction
- Pin comes fixed but can be set up lift off
- Available in black powder-coated or chrome plated finishes
- Dimensions: 110 mm wide x 80 mm (open)
- Five-hole fixing design for secure installation
- Blind mount stainless steel M8 bolts
- Load capacity: 80 kg (per 2 hinges)



Code	Description	Colour
NSXL390BKLH	HINGE ASSY ALLOY B390 110X80MM M8 BLACK LH	Black
NSXL390BKRH	HINGE ASSY ALLOY B390 110X80MM M8 BLACK RH	Black
NSXL390CHLH	HINGE ASSY ALLOY B390 110X80MM M8 CHROME LH	Chrome
NSXL390CHRH	HINGE ASSY ALLOY B390 110X80MM M8 CHROME RH	Chrome



SECTION A-A

